

VERMEIREN

FAVOTERM
Pflegebetten & Hilfsmittel

Bobby Evo

MANUAL
MANUEL
HANDLEIDING
GEBRAUCHSANWEISUNG
MANUALE
MANUAL
INSTRUKCJA OBSŁUGI
NÁVOD K OBSLUZE



EN

Instructions for specialist dealer

This instruction manual is part and parcel of the product and must accompany every product sold.

Version: A, 2019-02

FR

Instructions pour les distributeurs

Ce manuel d'instructions fait partie du produit et doit accompagner chaque produit vendu.

Version : A, 2021-09

NL

Instructies voor de vakhandelaar

Deze handleiding is deel van het product en dient bij iedere product te worden geleverd.

Versie: A, 2019-02

DE

Hinweise für den Fachhändler

Diese Gebrauchsanweisung ist Bestand-teil des Produkts und ist bei jeder Produkts auszuhändigen.

Version: A, 2019-02

IT

Istruzioni per il rivenditore

Il presente Manuale di istruzioni è parte integrante del prodotto e deve essere fornito assieme alla prodotto.

Versione: A, 2019-02

ES

Instrucciones destinadas a los distribuidores especializados

El presente manual de instrucciones es parte integrante del producto y se debe adjuntar a todas las producto que se vendan.

Versión: A, 2019-02

PL

Instrukcje dla wyspecjalizowanego sprzedawcy

Niniejsza instrukcja obsługi jest nieodłączną częścią produktu i musi być dołączona do każdego sprzedawanego produktu.

Wersja: A, 2019-02

CS

Pokyny pro specializovaného prodejce

Tento návod k obsluze je součástí dodávky a musí být součástí každého prodaného produktu.

Verze: A, 2019-02

All rights reserved, including translation.

No part of this manual may be reproduced in any form what so ever (print, photocopy, microfilm or any other process) without written permission of the publisher, or processed, duplicated or distributed by using electronic systems.

Tous droits réservés, y compris la traduction.

Aucune partie de ce manuel ne peut être reproduite, sous quelque forme que ce soit (imprimée, photocopie, microfilm ou tout autre procédé) sans l'autorisation écrite du publicateur, ni traitée, dupliquée ou distribuée à l'aide de systèmes électroniques.

Alle rechten, inclusief vertaling, voorbehouden.

Niets uit deze handleiding mag geheel of gedeeltelijk in enige vorm (druk, fotokopie, microfilm of ieder ander procedé) zonder de schriftelijke toelating van de uitgever worden gereproduceerd of met behulp van elektronische systemen worden verwerkt, gekopieerd of verspreid.

Alle Rechte, auch an der Übersetzung, vorbehalten.

Kein Teil der Gebrauchsanweisung darf in irgendeiner Form (Druck, Fotokopie, Mikrofilm oder einem anderen Verfahren) ohne schriftliche Genehmigung des Herausgebers reproduziert oder unter Verwendung elektronischer Systeme verarbeitet, vervielfältigt oder verbreitet werden.

Tutti i diritti riservati (anche sulla traduzione).

Il presente manuale non può essere riprodotto, neppure parzialmente, con alcun mezzo (stampa, fotocopia, microfilm o altro procedimento) senza l'autorizzazione scritta della casa produttrice, né elaborato, duplicato o distribuito con l'ausilio di sistemi elettronici.

Todos los derechos reservados, incluidos los de la traducción.

Se prohíbe la reproducción total o parcial del presente manual de cualquier forma (impresión, fotocopia, microfilm o cualquier otro procedimiento), así como la edición, copia o distribución empleando sistemas electrónicos, sin el permiso escrito del editor.

Wszelkie prawa zastrzeżone, łącznie z tłumaczeniem.

Żadna część niniejszej instrukcji nie może być powielana w jakiegokolwiek formie (drukowanej, fotokopii, mikrofilmu ani innej) bez pisemnej zgody wydawcy, nie może być również przetwarzana, kopiowana ani rozprowadzana za pomocą systemów elektronicznych.

Všechna práva vyhrazena, včetně překladu.

Šíření jakékoli části tohoto katalogu jakýmkoliv způsobem (tisk, kopie, mikrofilm nebo jiný způsob) bez písemného souhlasu vydavatele, nebo zpracování, duplikace či distribuce prostřednictvím elektronických systémů je zakázáno.



English

Français

Nederlands

Deutsch

Italiano

Español

Polski

Czech

Manual

Manuel

Handleiding

Gebrauchsanweisung

Manuale

Manual

Instrukcja obsługi

Návod k obsluze

This page is intentionally left blank





CONTENT

CONTENT	1
PREFACE	2
1 YOUR PRODUCT	3
1.1 ACCESSORIES.....	3
2 BEFORE USE	4
2.1 INTENDED USE	4
2.2 EXPLANATION OF SYMBOLS	4
2.3 GENERAL SAFETY INSTRUCTIONS.....	5
2.4 STORAGE.....	5
3 USING YOUR WHEELCHAIR	6
3.1 MOVING THE WHEELCHAIR OUT OF THE WAY	6
3.2 TRANSPORT	6
3.3 UNFOLDING/FOLDING THE MANUAL WHEELCHAIR	7
3.4 MOUNTING/DISMOUNTING THE FOOTRESTS	7
3.5 UNFOLDING/FOLDING THE BACKREST	8
3.6 PARKING BRAKES.....	8
3.7 MOVING TO/FROM YOUR WHEELCHAIR.....	9
3.8 RIDING	9
4 INSTALLATION AND ADJUSTMENTS	11
4.1 SCOPE OF DELIVERY.....	11
4.2 TOOLS	11
4.3 BRAKE ADJUSTMENT	11
4.4 FOOTREST LENGTH.....	12
5 MAINTENANCE	13
5.1 POINTS OF MAINTENANCE	13
5.2 INSTRUCTIONS FOR MAINTENANCE.....	13
5.3 TROUBLESHOOTING	14
5.4 EXPECTED LIFESPAN.....	14
5.5 END OF USE	14
6 TECHNICAL SPECIFICATIONS	15



PREFACE

Congratulations! You are now owner of a Vermeiren wheelchair!

This wheelchair is made by qualified and committed personnel. It is designed and produced according to high quality standards, guarded by Vermeiren.

Thank you for your trust in the products of Vermeiren. To support you on the use of this wheelchair and its operating options, this manual is offered. Please read it carefully; it will help you to get familiar with the operation, capabilities and limitations of your wheelchair.

If you still have questions after reading this manual, do not hesitate to contact your specialist dealer. He/she will be glad to help you.

Important note

To ensure your safety and to prolong the lifetime of your product, please take good care of it and have it checked and serviced on a regular basis.

The warranty on this product is based on normal use and maintenance as described in this manual. Damage to your product caused by improper use or lack of maintenance will cause the warranty to lapse.

This manual reflects the latest product developments. Vermeiren has the right to implement changes to this type of product without any obligation to adapt or replace similar products previously delivered.

Pictures of the product are used to clarify the instructions in this manual. Details of the depicted product may deviate from your product.

Information available

On our website <http://www.vermeiren.com/> you will always find the most recent version of the following information. Please consult this website regularly for possible updates.

Visually impaired people can download the electronic version of this manual and have it read out by means of a text-to-speech software application.



Installation instruction

For specialist dealer



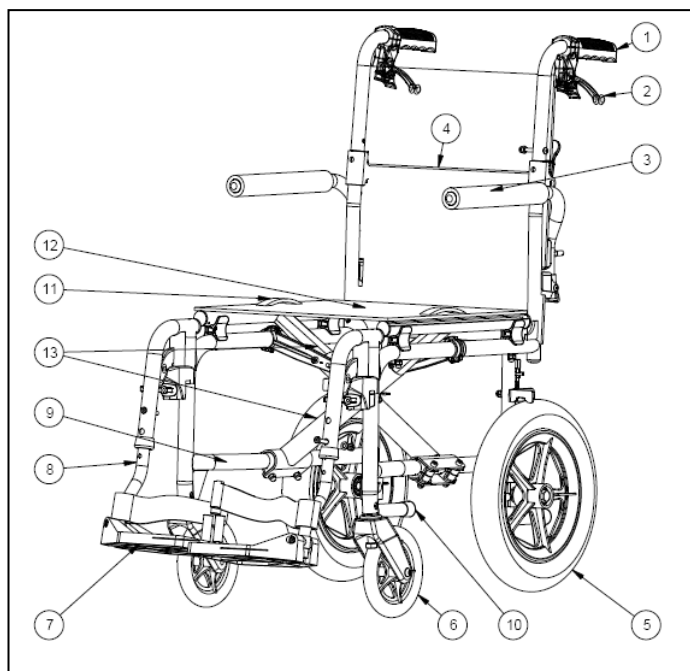
Service manual for wheelchairs

For specialist dealer



EC declaration of conformity

1 YOUR PRODUCT



1. Handgrips
2. Handbrake
3. Arm pad
4. Backrest
5. Rear wheel
6. Steering wheel (front wheel)
7. Footplate
8. Footrest
9. Identification plate
10. Tipping cap
11. Seat cushion handle
12. Seat cushion
13. Cross braces

1.1 Accessories

The following accessories are available for Bobby Evo:

- Safety belt (B20)

2 Before use

2.1 Intended use

- The Bobby Evo wheelchair is intended for transporting a person who has walking difficulties or no walking abilities, such as the disabled and elderly. Bobby Evo is designed for short-distance travel and convenient transfer.
- The manual wheelchair is designed for transporting one (1) person with a maximum weight of 115 kg. It is not designed for transport of goods or objects, not for any other use than previously described.
- The manual wheelchair is suitable for indoor and outdoor use.
- The occupant is moved by an attendant.
- This wheelchair is not intended to be used as seat in a motor vehicle.
- Only use accessories and spare parts approved by Vermeiren.
- No contraindications.

2.2 Explanation of symbols

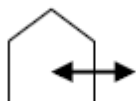
Manual wheelchairs should meet the following requirements:

GB/T 18029.8-2008

GB/T 18029-2000



Maximum weight of user in kg



Indoor and outdoor use



Maximum safe slope in ° (degrees)



CE conformity




Type designation



Not intended to be used as a seat in a motor vehicle

2.3 General safety instructions

 **CAUTION** Risk of injuries and/or damage

Keep the following general warnings in mind during use:

- Be aware that some parts of your wheelchair may get very hot or cold due to ambient temperature, solar radiation, heating devices. Be careful when touching. Wear protective clothing if the weather is cold.
- Do not modify your wheelchair yourself in any way, and take note of the instructions for care and service. The manufacturer is not liable for damage caused by improper servicing / care.
- Always keep the swing range of the footrest in mind to prevent bystanders from being injured or objects from being damaged.
- When transporting the wheelchair, never pick it up by grasping movable parts (wheels, armrests, footrests, etc.). Only grasp the frame of the wheelchair.
- When riding in the dark, wear bright or reflective clothing, and make sure that the reflectors attached to the side and back of the manual wheelchair are clearly visible.
- Never exceed the maximum load as specified in section 6.

2.4 Storage

- i** Make sure that your wheelchair is stored in a dry place to prevent mould from growing and the upholstery from being damaged, see also technical details in section 6.

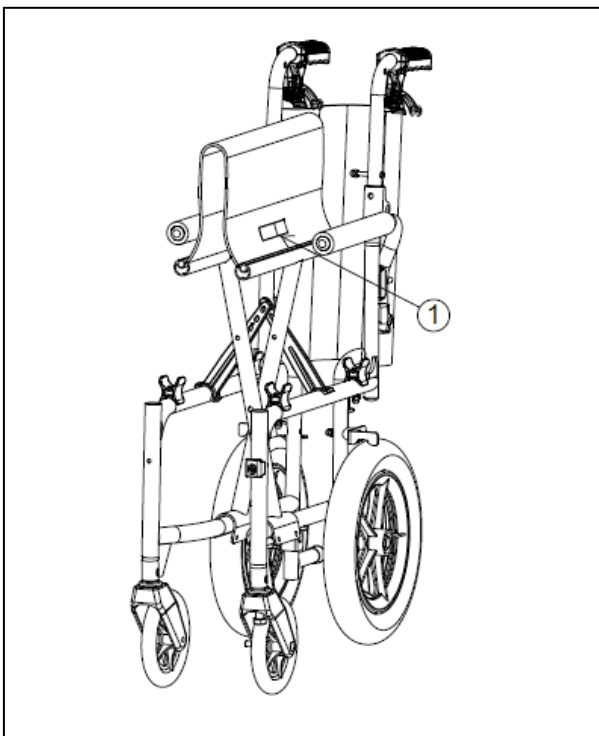
3 Using your wheelchair

This chapter describes the daily use of the Bobby Evo wheelchair for users and dealers. The wheelchair is delivered fully assembled to the user. For the dealer, we also introduce how to assemble the manual wheelchair.

3.1 Moving the wheelchair out of the way

Move the wheelchair by using its wheels and roll it to the destination.

If this is not possible and folding is not desired, firmly grasp the frame with both hands and lift it from the floor. Do not use foot or arm rests, or wheels to grasp the wheelchair.



You can also use the cushion handle ① to carry the manual wheelchair. First remove the footrest and fold the manual wheelchair. Thus, you can grab the handles on both sides of the wheelchair and carry the wheelchair to the desired place.

3.2 Transport



CAUTION

Risk of injuries

- Do NOT use your wheelchair as seat in a vehicle, see the following symbol.
- Never use the same safety belt for passenger and wheelchair.



1. As user, transfer to a seat of the car, see section 3.7.
2. Remove the footrests and other accessories.
3. Fold the wheelchair to its most compact size according to the instructions in section 3.3.
4. Store the wheelchair, footrests and accessories in the luggage compartment or behind the passenger seat. If luggage and passenger compartments are NOT separated or enclosed, fasten the wheelchair frame securely to the vehicle. You can use an available safety belt in the vehicle.

3.3 Unfolding/Folding the manual wheelchair

CAUTION Risk of injuries

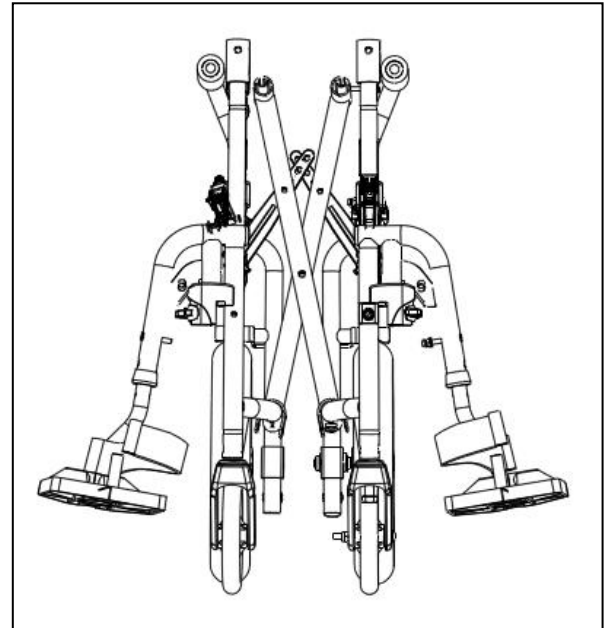
- Keep away from moving parts of the wheelchair to avoid getting your fingers trapped.

To unfold the wheelchair:

1. Stand behind the manual wheelchair.
2. Open the backrest (see section 3.5).
3. Use the push handles to open the manual wheelchair as far as possible to both sides.
4. Stand in front of the manual wheelchair.
5. Press down on the two seating tubes next to the seat until they are fixed in place.

To fold the wheelchair:

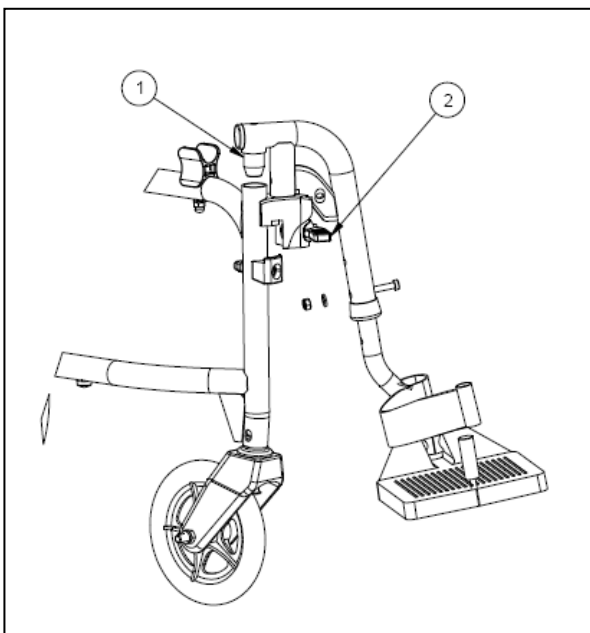
1. Fold the footplate or remove the footrest (see section 3.4);
2. Fold the backrest (see section 3.5);
3. Grab the front and back of the cushion in the middle, and lift it up.



3.4 Mounting/Dismounting the footrests

CAUTION Risk of injuries

- Make sure that the footrests are firmly secured before use.
- Be careful not to have objects or people in the swing range of the footrest.



To mount the footrests:

1. Hold the footrest sideways and place the tube plug ① into the wheelchair frame.
2. Swing the footrest inward until it clicks into place.
3. Lower the footplate.
4. Repeat for the second footrest.

To dismount the footrests:

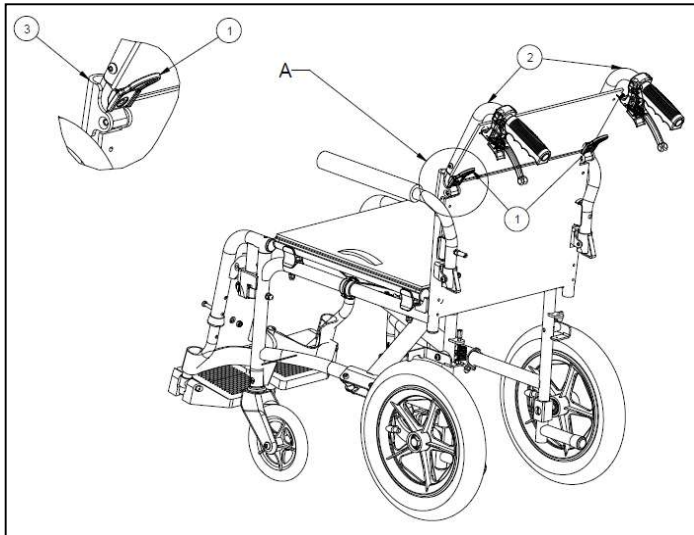
1. Lift the handle ②.
2. Turn the footrest outward.
3. Remove the footrest.
4. Repeat for the second footrest.

3.5 Unfolding/Folding the backrest

**CAUTION**

Risk of injuries

- Make sure that the backrest is securely locked before use.



To unfold the backrest:

1. Lift the backrest tube (2) up until the backrest tube is locked;
2. Make sure that the backrest is securely locked into place.

To fold the backrest:

1. Hold the backrest tube and lift (1) the backrest tube until (3) it is sprung up from the backrest tube.
2. Lower the upper backrest tube (2) until it is fully folded.

3.6 Parking brakes

**CAUTION**

Risk of injuries

- Do not use the brakes to slow down the wheelchair while riding.
- Good operation depends on wear and dirt of the tires (water, oil, mud...). Check the tyre condition before use.
- The brakes are adjustable and will wear out over time. Check the brakes before use.
- Risk of unintended movement– make sure that the brakes are released when is the wheelchair is on flat ground.

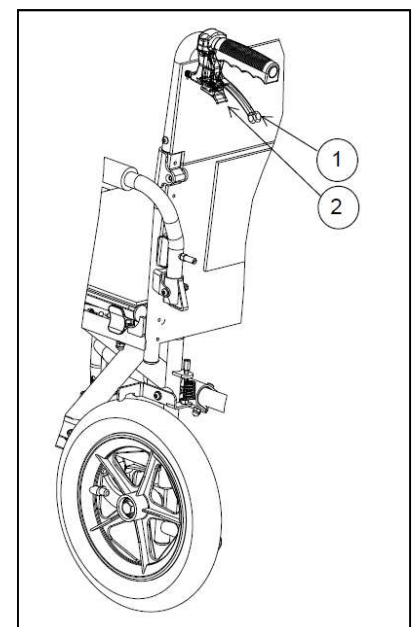
The parking brakes can only be operated by an attendant.

Applying brakes:

1. Pull the brake lever up (1).
2. Secure the brake lever (1) with the teeth on the plastic block (2).

releasing brakes:

1. Loosen the plastic block (2);
2. Release the brake lever (1).



3.7 Moving to/from your wheelchair

**CAUTION**

Risk of injuries and/or damage

- In case you cannot perform the transfer in a safe manner, ask someone to assist you.
- Do not stand on the footplates during transfer into or out of the chair.

Transfer:

1. Place the manual wheelchair as close to you as possible when sitting in your chair, couch, seat or bed.
2. Apply both parking brakes to block the movement, see section 3.6.
3. Fold the footplates up to prevent standing on them, or turn the leg rests aside to free the passage for transfer.
4. If necessary, remove the footrest on one side (see section 3.4).
5. Transfer to/from the wheelchair using the strength of your arms, or with the help of an attendant or lifting equipment.

Sitting in the wheelchair:

1. Sit down on the seat with your lower back against the backrest.
2. Reinstall the footrest, if removed.
3. Turn the footrests back to the front or turn down the footplates, and put your feet on the footplates.

3.8 Riding

**CAUTION**

Risk of injuries and/or damage

- Prevent your hands on the hand rims from entrapment when riding through small passages.
 - Do not drive on slopes, obstacles, steps or kerbs larger than specified in section 6.
1. Release the parking brakes (see section 3.6).
 2. The attendant grasps the push handles.
 3. The attendant pushes the wheelchair to the desired place.

3.8.1 Riding on slopes, ramps

**CAUTION**

Risk of injuries

- Control your speed - slow down on the slope.
- Consider the ability of your attendant - if your attendant cannot control the wheelchair, pull the brakes.

1. If available, wear your safety belt.
2. The attendant pushes you up/down the slope.
3. When going up the slope, lean forward to move your centre of gravity forward. When going down the slope, lean backwards.



3.8.2 Coping with obstacles



CAUTION

Risk of injuries and/or damage

- If necessary, remove the footrests to make sure they do not touch the ground due to the inclination of the wheelchair.
- Always take kerbs or obstacles with help of an attendant.

Going down kerbs forwards:

1. Tilt the wheelchair slightly backwards to move the centre of gravity to the rear wheels.
2. Push the rear wheel down the kerb.



Going down kerbs backwards:

1. Approach the kerb backwards.
2. Lean forward to move your centre of gravity.
3. Move and lift the rear wheel over the side of the kerb. Place the rear wheel on the ground.
4. Gently pull the front wheels down the kerb.



Going up steps or obstacles

1. Tilt the wheelchair backwards by pushing your foot down on the tip cap.
2. Move the front wheels up the kerb. Place the front wheels on the ground.
3. Push the rear wheels up the kerb.



3.8.3 Using stairs




CAUTION

Risk of injuries and/or damage

- The manual wheelchair cannot be used on escalators.
 - Stairs should always be negotiated with the help of (at least) two attendants.
1. Remove the footrests, see section 3.4.
 2. One attendant tips the wheelchair slightly backwards.
 3. The second attendant grabs the wheelchair at the front of the frame, on both sides of the wheelchair.
 4. Gently move the rear wheels from step to step. Avoid jerky movements.
 5. After using the stairs, mount the footrests back in place, see section 3.4.

4 INSTALLATION AND ADJUSTMENTS

This chapter is primarily intended for dealers.

 **CAUTION** Only use parts and tools described in this manual.

4.1 Scope of delivery

Bobby Evo is supplied with:

1. Frame with armrests, front and rear wheels;
2. A pair of footrests;
3. Handgrips+ brake levers;
4. Seat cushion and backrest;
5. Tools: Allen key no° 1, 4, 5, and open end wrench;
6. Instructions;
7. Accessories (optional).

Before use, check if everything is included and that no products are damaged.

4.2 Tools

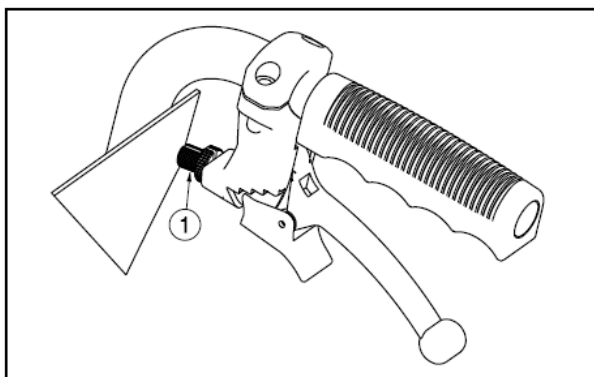
To adjust the wheelchair, the following tools are needed:

- no° 10 socket wrench
- no° 4 Allen key

4.3 Brake adjustment

 **CAUTION** Risk of injuries and/or damage

- The brakes should only be adjusted by your specialist dealer.



1. Turn ① to adjust the tension of the brake wire.
2. Check the effect of the brakes.
3. If necessary, repeat step ① until the brakes are adjusted well.

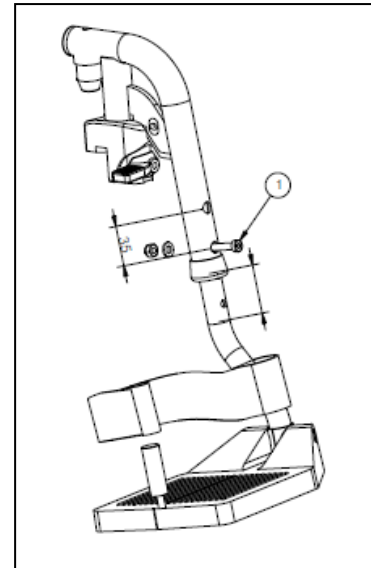
4.4 Footrest length

 **CAUTION** Risk of damage

- Avoid any contact between the footrest and the ground, and keep a minimum clearance of 6 cm from the ground.

Two length positions are possible (35mm interval):

1. Loosen the screw ① on the front of the footrest.
2. Adjust the footrest to a comfortable height.
3. Tighten the screw ①.



5 MAINTENANCE

5.1 Points of maintenance

 **CAUTION** Risk of injuries and/or damage

- Repairs and replacements may only be undertaken by trained persons, and only genuine replacement parts of Vermeiren should be used.

Before each use

Inspect the following points:

- All parts: Present and undamaged or unworn.
- All parts: Clean, see section 5.2.2.
- Footrests: Well secured.
- Condition of wheels/tyres, see section 5.2.1;
- Condition of frame parts: No deformation, instability, weakness or loose connections
- Seat, backrest, arm pads: No excessive wear (like dented spots, damage or tears).
- Brakes: undamaged and fully operational

Contact your specialist dealer for possible repairs or part replacements.

Yearly or more often

Have your wheelchair inspected and serviced by your specialist dealer, at least once a year or more often. The minimum maintenance frequency depends on use and should therefore be commonly agreed on with your specialist dealer.

If stored

Make sure that your wheelchair is stored in a dry place to prevent mould from growing, or the upholstery from being damaged.

5.2 Instructions for maintenance

5.2.1 Wheels and tyres

Keep your wheels free of wires, hair, sand and fibres.

Check the profile of the tyres. If the tread depth is less than 1 mm, the tyres need to be replaced. Contact your specialist dealer for this matter.

Inflate each pneumatic tyre to the correct pressure (see pressure indication on the tyres).



5.2.2 Cleaning

**CAUTION**

Risk of damage

- Never use a hose or high-pressure cleaner to clean the wheelchair.

Wipe all rigid parts of the wheelchair with a damp cloth (not drenched). If necessary, use a mild soap, suitable for varnishes and synthetics.

The upholstery can be cleaned with lukewarm water and a mild soap. Do not use abrasive cleaning agents, or a sponge or hard brush to clean.

5.2.3 Disinfection

**CAUTION**

Risk of injuries and/or damage

- Disinfections may only be undertaken by trained persons. Consult your specialist dealer.

5.3 Troubleshooting

NEVER attempt to repair the wheelchair yourself. Even if you use your wheelchair properly, a technical problem may occur. The following symptoms may indicate a serious problem. Therefore always contact your specialist dealer if you spot any of the following deviations:

- Strange sound;
- Uneven tread wear on one of the tyres;
- Jerky movements;
- Wheelchair deflects to one side;
- Damaged or broken wheel assemblies;

5.4 Expected lifespan

The average lifespan of your wheelchair is 5 years. Depending on the frequency of use, driving circumstances and maintenance, the lifespan of your wheelchair will increase or decrease.


5.5 End of use

At end of life, you need to dispose your wheelchair according to the local environmental regulations. The best way to do so, is to disassemble the wheelchair to facilitate the transport of recyclable parts.

6 TECHNICAL SPECIFICATIONS

The technical details below are only valid for this wheelchair, at standard settings and optimal ambient conditions. Take these details into account during use. The values are no longer applicable if your wheelchair has been modified, damaged or suffers from severe wear.

Table 1: Technical specifications

Brand	Vermeiren	
Type	Manual wheelchair	
Model	Bobby Evo	

Description	Dimensions
Max. weight of user	115kg
Effective seat width	42 cm - 48 cm
Total width (reference seat width)	49 cm - 55 cm
Full length (including footrest)	101 cm
Length after folding (including footrest)	86 cm
Length after folding (excluding footrest)	68 cm
Width after folding (without footrest)	26 cm
Height after folding	75 cm
Total height	90 cm
Total weight	9.6 kg - 10.0 kg
Total weight of heaviest part	8.0 kg - 8.6 kg
Heaviest removable part	Footrest: 1.6 kg
Static stability downhill	10°
Static stability uphill	10°
Static stability sideways	10°
Obstacle climbing	6 cm
Seat angle	5°
Effective seat depth	42 cm
Seat front height	49 cm
Backrest angle	5°
Backrest height	44 cm
Distance between footplate and seat	39 cm - 42 cm
Footrest and seat angle	114°
Distance from armrest to seat	20 cm
Armrest front end	30 cm
Wheel horizontal axis	2.1 cm
Minimum turning diameter	150 cm
Rear wheel diameter	12.5"
Front wheel diameter	15.5 cm
Storage and use temperature	+5 °C - + 41 °C
Storage and use humidity	30% - 70%
<i>We reserve the right to introduce technical changes.</i>	
<i>Measurement tolerance ± 15 mm / 1,5 kg / 1,5°.</i>	

Table des matières

TABLE DES MATIERES	1
AVANT-PROPOS	2
1 VOTRE PRODUIT	3
1.1 ACCESSOIRES.....	3
2 AVANT L'UTILISATION	4
2.1 UTILISATION PREVUE	4
2.2 EXPLICATION DES SYMBOLES.....	4
2.3 CONSIGNES GENERALES DE SECURITE	5
2.4 ENTREPOSAGE	5
3 UTILISATION DE VOTRE FAUTEUIL ROULANT	6
3.1 DEPLACEMENT DU FAUTEUIL ROULANT.....	6
3.2 TRANSPORT	6
3.3 DEPLIER/REPLIER LE FAUTEUIL ROULANT MANUEL.....	7
3.4 MONTAGE/DEMONTAGE DES REPOSE-PIEDS	7
3.5 PLIEZ / DEPLIEZ LE DOSSIER	8
3.6 UTILISATION DES FREINS.....	8
3.7 SE DEPLACER DU/VERS VOTRE FAUTEUIL ROULANT	9
3.8 ROULER	9
4 INSTALLATION ET REGLAGES	12
4.1 PORTEE DE LA LIVRAISON.....	12
4.2 OUTILS	12
4.3 REGLAGE DES FREINS	12
4.4 LONGUEUR DU REPOSE-PIED	13
5 ENTRETIEN	14
5.1 POINTS D'ENTRETIEN.....	14
5.2 INSTRUCTIONS D'ENTRETIEN.....	14
5.3 RESOLUTION DES PROBLEMES	15
5.4 DUREE DE VIE ATTENDUE.....	15
5.5 MISE AU REBUT	15
6 CARACTERISTIQUES TECHNIQUES	16

Avant-propos

Félicitations ! Vous êtes à présent l'heureux propriétaire d'un fauteuil roulant Vermeiren ! Ce fauteuil roulant a été fabriqué par un personnel qualifié et responsable. Il est conçu et produit conformément aux normes de qualité élevées, appliquées par Vermeiren.

Merci de la confiance que vous accordez aux produits de Vermeiren. Ce manuel est destiné à vous aider dans l'utilisation de ce fauteuil roulant et de ses options de fonctionnement. Veuillez le lire attentivement. Vous pourrez ainsi vous familiariser avec le fonctionnement, les capacités et les limites de votre fauteuil roulant.

Si vous avez encore des questions après la lecture de ce manuel, n'hésitez pas à prendre contact avec votre revendeur spécialisé. Il vous aidera volontiers.

Remarque importante

Pour assurer votre sécurité et prolonger la durée de vie de votre produit, prenez-en grand soin et faites-le contrôler ou entretenir régulièrement.

La garantie sur ce produit est basée sur une utilisation et un entretien normaux, tels que décrits dans le présent manuel. Les dommages à votre produit dus à un usage inapproprié ou à un manque d'entretien auront pour effet d'annuler la garantie.

Ce manuel est le reflet des derniers développements du produit. Vermeiren a le droit d'apporter des modifications à ce type de produit sans être tenu d'adapter ou de remplacer des produits similaires fournis précédemment.

Les illustrations du produit sont utilisées afin de clarifier les instructions de ce manuel. Les détails du produit illustré peuvent diverger de votre produit.

Informations disponibles

Sur notre site Internet <http://www.vermeiren.com/>, vous trouverez toujours la version la plus récente des informations suivantes. Veuillez consulter régulièrement ce site Internet pour connaître les éventuelles mises à jour.

Les personnes malvoyantes peuvent télécharger la version électronique de ce manuel et la lire au moyen d'une application de texte-parole.



Instructions d'installation

Pour le revendeur spécialisé



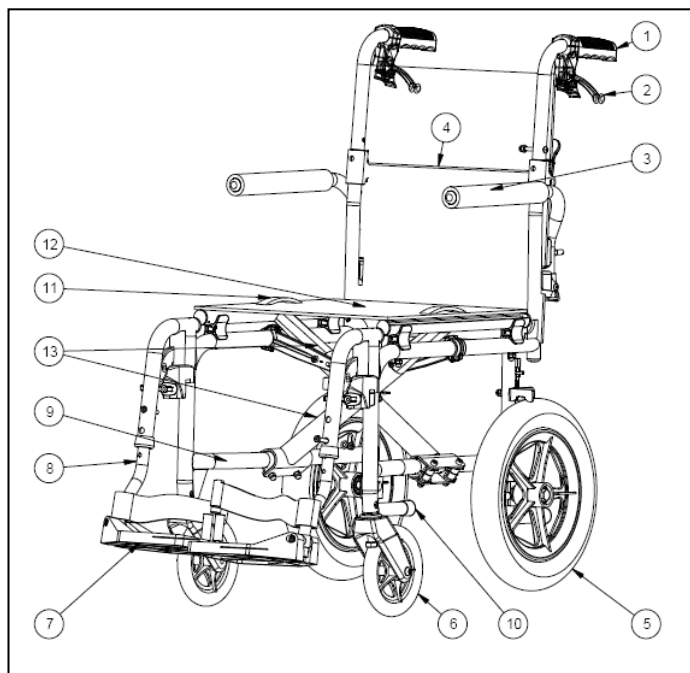
Manuel d'entretien des fauteuils roulants

Pour le revendeur spécialisé



Déclaration de conformité CE

1 Votre produit



1. Poignées
2. Frein à main
3. Manchette
4. Dossier
5. Roue arrière
6. Roue directrice (roue avant)
7. Palette repose-pied
8. Repose-pied
9. Plaque d'identification
10. Embout de basculement
11. Poignée de siège rembourré
12. Siège rembourré
13. Montants transversaux

1.1 Accessoires

Les accessoires suivants sont disponibles pour le Bobby Evo :

- Ceinture de sécurité (B20)

2 Avant l'utilisation

2.1 Utilisation prévue

- Le fauteuil roulant Bobby Evo est prévu pour transporter une personne ayant des difficultés pour marcher ou sans capacité de marche, comme une personne handicapée ou âgée. Le Bobby Evo est conçu pour un déplacement de courte distance et un transfert pratique.
- Le fauteuil roulant manuel est conçu pour transporter une (1) personne d'un poids maximum de 115 kg. Il n'est pas destiné au transport de biens ou d'objets, ni à tout autre usage que celui décrit précédemment.
- Le fauteuil roulant manuel convient à un usage à l'intérieur et à l'extérieur.
- L'occupant est déplacé par un accompagnateur.
- Ce fauteuil roulant n'est pas destiné à servir de siège dans un véhicule motorisé.
- Utilisez uniquement des accessoires et des pièces de rechange approuvés par Vermeiren.
- Pas de contre-indications.

2.2 Explication des symboles

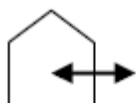
Les fauteuils roulants manuels doivent répondre aux exigences suivantes :

GB/T 18029.8-2008

GB/T 18029-2000



Poids maximum de l'utilisateur en kg



Usage intérieur et extérieur



Déclivité sûre maximale en ° (degrés)



Conformité CE



Indication du type



N'est pas destiné à servir de siège dans un véhicule motorisé

2.3 Consignes générales de sécurité



Risque de blessures et/ou de dommages

Tenez compte des avertissements généraux suivants pendant l'emploi :

- N'oubliez pas que certaines parties de votre fauteuil roulant peuvent devenir très chaudes ou très froides en fonction de la température ambiante, des rayons du soleil ou des dispositifs de chauffage. Faites donc attention lorsque vous les touchez. Portez des vêtements de protection s'il fait froid.
- Ne modifiez en aucun cas votre fauteuil roulant vous-même, et prenez connaissance des instructions d'entretien et de contrôles. Le fabricant n'est pas responsable des dommages résultant d'une mauvaise inspection ou d'un mauvais entretien.
- Tenez toujours compte de l'amplitude du repose-pied pour ne pas blesser les personnes ou endommager les objets aux alentours.
- Lorsque vous transportez le fauteuil roulant, ne le saisissez jamais par des parties mobiles (roues, accoudoirs, repose-pieds, etc.). Saisissez toujours le fauteuil roulant par son châssis.
- Lorsqu'il fait sombre, portez des vêtements clairs ou réfléchissants, et assurez-vous que les catadioptres fixés sur le côté et à l'arrière du fauteuil manuel sont clairement visibles.
- Ne dépassez jamais la charge maximale précisée à la section 6.

2.4 Entreposage



Assurez-vous que votre fauteuil roulant est entreposé dans un endroit sec pour éviter la formation de moisissure et l'endommagement du rembourrage, cf. également les détails techniques à la section 6.

3 Utilisation de votre fauteuil roulant

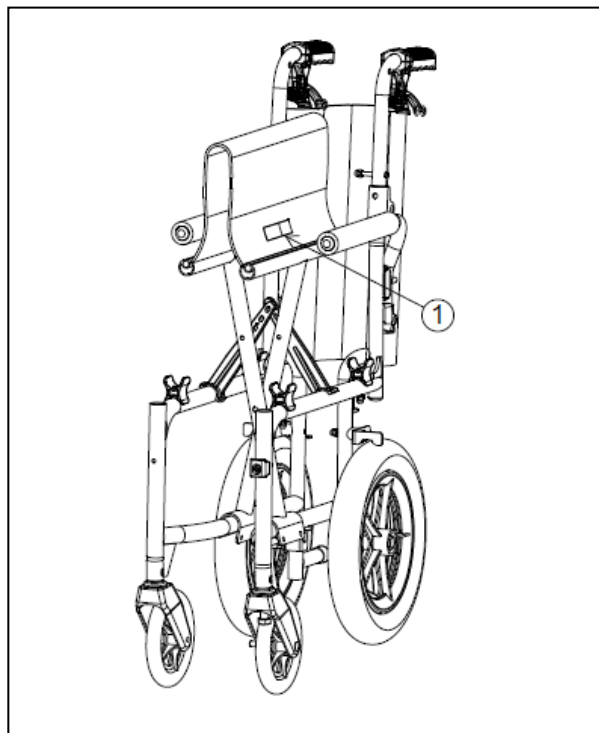
Ce chapitre décrit l'utilisation quotidienne du fauteuil roulant Bobby Evo pour les utilisateurs et les revendeurs. Le fauteuil roulant est fourni entièrement monté à l'utilisateur. Pour le revendeur, nous présentons également comment assembler le fauteuil roulant manuel.

3.1 Déplacement du fauteuil roulant

Déplacez le fauteuil roulant en utilisant ses roues et roulez-le vers la destination.

Si ce n'est pas possible et si vous ne pouvez pas le replier, saisissez fermement le châssis des deux mains et soulevez-le du sol. N'utilisez pas les repose-pieds ou accoudoirs, ou encore les roues pour saisir le fauteuil roulant.

Vous pouvez également utiliser la poignée de coussin (1) pour porter le fauteuil roulant manuel. Retirez d'abord les repose-pieds et repliez le fauteuil roulant manuel. Vous pouvez alors saisir les poignées des deux côtés du fauteuil roulant et le porter à l'endroit désiré.



3.2 Transport

ATTENTION Risque de blessures

- N'utilisez PAS votre fauteuil roulant comme siège dans un véhicule, cf. symbole suivant.
- N'utilisez jamais la même ceinture de sécurité pour le passager et le fauteuil roulant.



1. En tant qu'utilisateur, transférez vers un siège de la voiture, cf. section 3.7.
2. Retirez les repose-pieds et autres accessoires.
3. Pliez le fauteuil roulant dans ses dimensions les plus compactes selon les instructions de la section 3.3.
4. Entreposez le fauteuil roulant, les repose-pieds et les accessoires dans le compartiment des bagages ou derrière le siège passager. Si le coffre n'est PAS séparé de l'habitacle du véhicule ou fermé, attachez convenablement le fauteuil roulant dans le véhicule. Vous pouvez également utiliser une ceinture de sécurité disponible dans le véhicule.

3.3 Déplier/replier le fauteuil roulant manuel

ATTENTION Risque de blessures

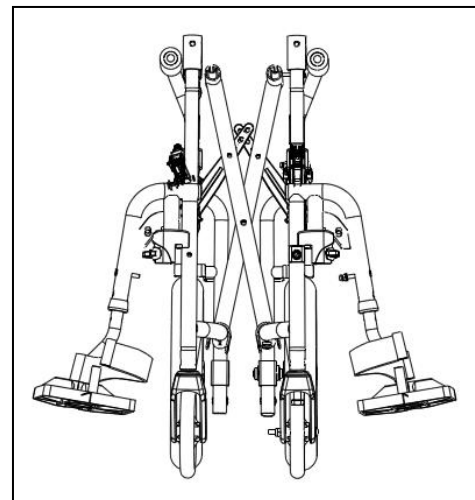
- Tenez-vous éloigné des pièces mobiles du fauteuil roulant pour ne pas vous coincer les doigts.

Pour déplier le fauteuil roulant :

1. Tenez-vous derrière le fauteuil roulant manuel.
2. Ouvrez le dossier (cf. section 3.5).
3. Utilisez les poignées de poussée pour ouvrir le fauteuil roulant manuel autant que possible des deux côtés.
4. Tenez-vous devant le fauteuil roulant manuel.
5. Appuyez vers le bas sur les deux tubes d'assise à côté du siège jusqu'à ce qu'ils soient mis en place.

Pour plier le fauteuil roulant :

1. Pliez les palettes repose-pieds ou retirez les repose-pieds (cf. section 3.4);
2. Pliez le dossier (cf. section 3.5);
3. Saisissez le coussin central par l'avant et l'arrière, et soulevez-le.



3.4 Montage/Démontage des repose-pieds

ATTENTION Risque de blessures

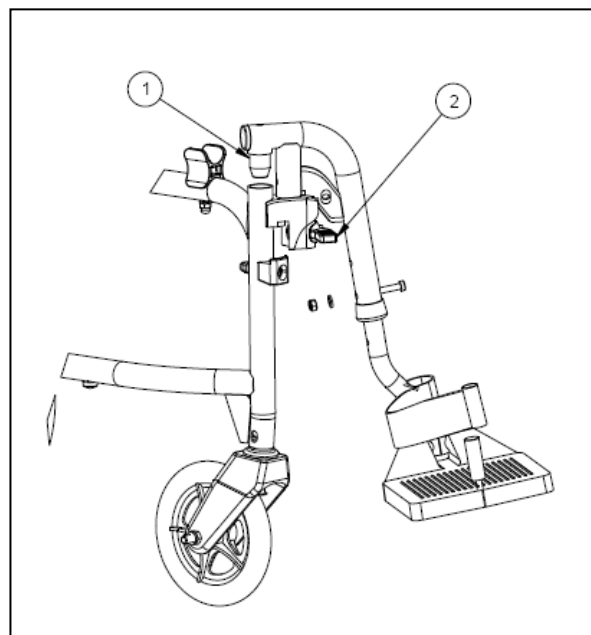
- Assurez-vous que les repose-pieds sont correctement serrés avant l'utilisation.
- Faites attention à ne pas avoir d'objets ou de personnes dans l'amplitude du repose-pied.

Pour monter les repose-pieds :

1. Maintenez le repose-pied latéralement et placez l'embout du tube (1) dans le châssis du fauteuil roulant.
2. Basculez le repose-pied vers l'intérieur jusqu'à ce qu'il se bloque en position.
3. Descendez la palette repose-pied.
4. Répétez cette opération pour l'autre repose-pied.

Pour démonter les repose-pieds :

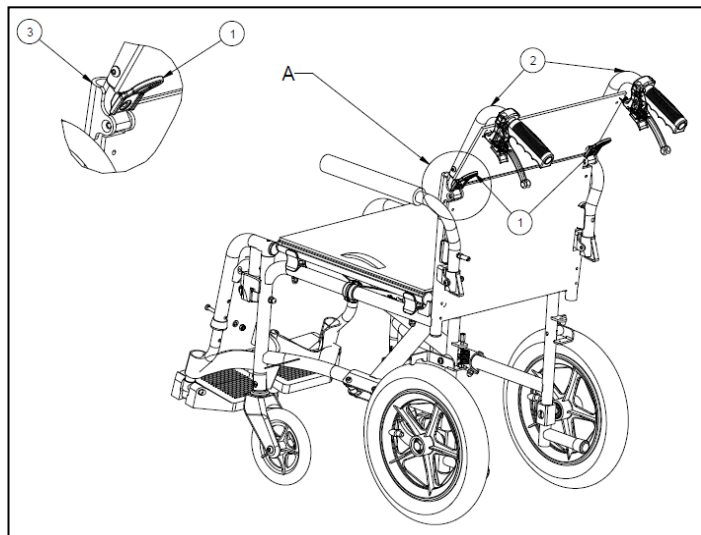
1. Soulevez la poignée (2).
2. Tournez le repose-pied vers l'extérieur.
3. Enlevez le repose-pied.
4. Répétez cette opération pour l'autre repose-pied.



3.5 Pliez / dépliez le dossier

ATTENTION Risque de blessures

- Vérifiez que le dossier sont fermement installés avant d'utiliser le fauteuil transfert.



Pour déployer le dossier :

Tirer les tubes du dossier (2) vers le haut jusqu'à ce que le dossier est fixé fermement.

Vérifiez que le dossier est fixé fermement.

Le pliage du dossier se fait de la manière suivante:

1. Tirez sur les leviers (1), jusqu'à ce que la broches (3) sort du trou.
2. Tirer les tubes du dossier supérieur (2) vers le bas jusqu'à ce que le dossier soit complètement plié.

3.6 Utilisation des freins

ATTENTION Risque de blessures

- Les freins n'ont pas pour but de ralentir le fauteuil de transfert lors de déplacements.
- L'usure et la contamination des pneus (eau, huile, boue, ...) influencent de le bon fonctionnement des freins. Vérifiez l'état des pneus avant chaque utilisation.
- les freins sont réglables et sont sujets à l'usure – Vérifiez leur fonctionnement avant chaque utilisation.
- Risque de mouvements non souhaités : Vérifiez que le fauteuil de transfert se trouve sur une surface horizontale plane avant de relâcher les freins..

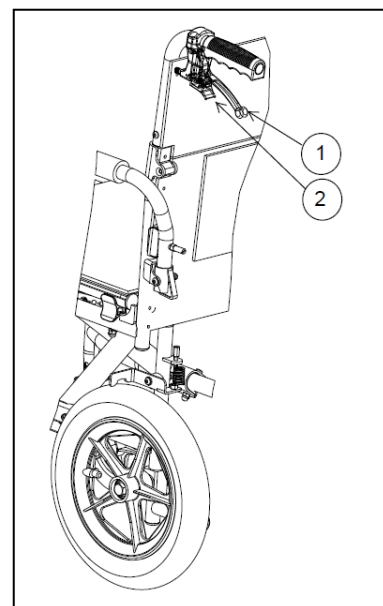
Les freins ne peuvent être activés par la tierce-personne.

Verrouillez les freins de stationnement:

1. Tirez les leviers de frein (1) vers le haut.
2. Appuyez sur la partie (2) pour bloquer les freins.

Déverrouillez les freins de stationnement:

1. Premièrement libérez la partie (2).
2. Relâchez les leviers de frein (1).



3.7 Se déplacer du/vers votre fauteuil roulant

**ATTENTION**

Risque de blessures et/ou de dommages

- Si vous ne pouvez pas réaliser le transfert de manière sûre, demandez à quelqu'un de vous aider.
- Ne vous reposez pas sur les palettes repose-pieds pendant le transfert de ou vers le fauteuil.

Transfert :

1. Positionnez le fauteuil roulant manuel le plus près possible de vous lorsque vous êtes assis sur une chaise, un fauteuil, un siège ou un lit.
2. Actionnez les deux freins de stationnement pour bloquer le mouvement, cf. section 3.6.
3. Relevez les repose-pieds pour ne pas vous y appuyer, ou tournez les repose-jambes sur le côté pour libérer le passage pour le transfert.
4. Si nécessaire, retirez le repose-pied d'un côté (cf. section 3.4).
5. Faites le transfert du ou vers le fauteuil roulant en utilisant la force de vos bras, ou avec l'aide d'un accompagnateur ou d'un équipement de levage.

S'asseoir sur le fauteuil roulant :

1. Asseyez-vous sur le siège, le bas du dos contre le dossier.
2. Réinstallez le repose-pied, si vous l'avez retiré.
3. Retournez les repose-pieds vers l'avant ou tournez les palettes repose-pieds vers le bas, et posez vos pieds sur les palettes repose-pieds.

3.8 Rouler

**ATTENTION**

Risque de blessures et/ou de dommages

- Faites attention de ne pas vous coincer les mains sur des mains courantes lorsque vous roulez dans des passages étroits..
 - Ne roulez pas sur des pentes, obstacles, marches ou bordures plus larges que la dimension décrite à la section 6.
1. Relâchez les freins de stationnement (cf. section 3.6).
 2. L'accompagnateur saisit les poignées de poussée.
 3. L'accompagnateur pousse le fauteuil roulant à l'endroit désiré.

3.8.1 Rouler sur des pentes, rampes

**ATTENTION**

Risque de blessures

- Contrôlez votre vitesse, ralentissez sur la pente.
- Tenez comptes des capacités de votre accompagnateur, si celui-ci ne peut pas contrôler le fauteuil roulant, tirez les freins.

1. Si disponible, portez votre ceinture de sécurité.
2. L'accompagnateur vous pousse en haut/bas de la pente.
3. Lorsque vous montez la pente, penchez-vous vers l'avant pour déplacer votre centre de gravité vers l'avant. Lorsque vous descendez la pente, penchez-vous vers l'arrière.



3.8.2 Aborder les obstacles

**ATTENTION**

Risque de blessures et/ou de dommages

- Si nécessaire, retirez les repose-pieds pour vous assurer qu'ils ne touchent pas le sol en raison de l'inclinaison du fauteuil roulant.
- Abordez toujours les trottoirs ou les obstacles avec l'aide d'un accompagnateur.

Descendre des trottoirs vers l'avant :

1. Inclinez légèrement le fauteuil roulant vers l'arrière pour déplacer le centre de gravité vers les roues arrière.
2. Poussez la roue arrière en bas du trottoir.



Descendre des trottoirs vers l'arrière :

1. Approchez-vous du trottoir en arrière.
2. Penchez-vous vers l'avant pour déplacer votre centre de gravité.
3. Déplacez et soulevez la roue arrière par-dessus le bord du trottoir. Placez la roue arrière au sol.
4. Tirez doucement les roues avant en bas du trottoir.



Monter des marches ou des obstacles

1. Inclinez le fauteuil roulant vers l'arrière en poussant votre pied vers le bas sur l'embout de basculement.
2. Déplacez les roues avant en haut du trottoir. Placez les roues avant sur le sol.
3. Poussez les roues arrière en haut du trottoir.



3.8.3 Utiliser les escaliers

**ATTENTION**

Risque de blessures et/ou de dommages

- Le fauteuil roulant manuel ne peut pas être utilisé dans les escalators.
 - Les escaliers doivent toujours être franchis à l'aide de (au moins) deux accompagnateurs.
1. Retirez les repose-pieds, cf. section 3.4.
 2. Un accompagnateur incline légèrement le fauteuil roulant vers l'arrière.
 3. Le deuxième accompagnateur saisit le fauteuil roulant par l'avant du châssis, des deux côtés du fauteuil.



4. Déplacez doucement les roues arrière de marche en marche. Évitez les mouvements saccadés.
5. Après avoir franchi les escaliers, remettez les repose-pieds en place, cf section 3.4.

4 Installation et réglages

Ce chapitre est principalement destiné aux revendeurs.

ATTENTION N'utilisez que les pièces et outils décrits dans ce manuel.

4.1 Portée de la livraison

Le Bobby Evo est fourni avec :

1. Châssis avec accoudoirs, roues avant et arrière ;
2. Une paire de repose-pieds ;
3. Poignées + leviers de frein ;
4. Coussin de siège et dossier ;
5. Outils : Clé Allen nos 1, 4, 5, et clé plate ;
6. Instructions ;
7. Accessoires (en option).

Avant utilisation, vérifiez si tout est inclus et qu'aucun produit n'est endommagé.

4.2 Outils

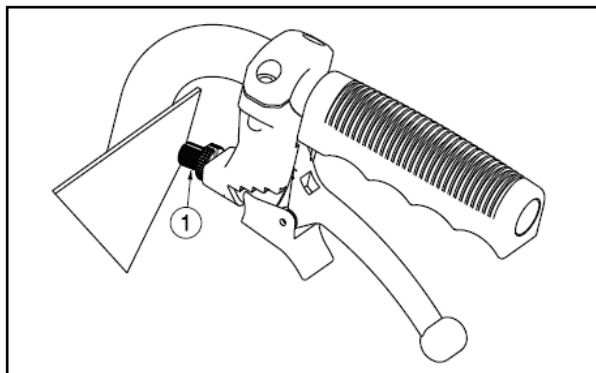
Pour régler le fauteuil roulant, les outils suivants sont nécessaires :

- Clé à douilles n° 10
- Clé Allen n° 4

4.3 Réglage des freins

ATTENTION Risque de blessures et/ou de dommages

- Seul votre revendeur spécialisé peut effectuer le réglage des freins.



1. Tournez (1) pour régler la tension du fil de frein.
2. Contrôlez l'effet sur les freins.
3. Si nécessaire, répétez l'étape (1) jusqu'à ce que les freins soient correctement réglés.

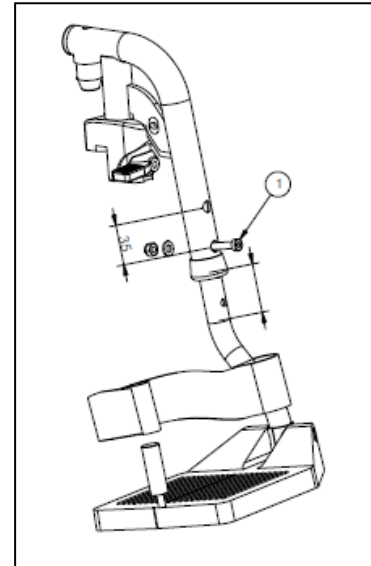
4.4 Longueur du repose-pied

⚠ ATTENTION Risque de dommages

- Evitez tout contact entre le repose-pied et le sol, et gardez un dégagement minimal de 6 cm du sol.

Deux positions de longueur sont possibles (intervalle 35 mm) :

1. Desserrez la vis (1) à l'avant du repose-pied.
2. Réglez le repose-pied à une hauteur confortable.
3. Serrez la vis (1).



5 Entretien

5.1 Points d'entretien

 **ATTENTION** Risque de blessures et/ou de dommages

- Les réparations et les remplacements ne peuvent être réalisés que par des personnes formées, et seules des pièces de remplacement d'origine de Vermeiren peuvent être utilisées.

Avant chaque utilisation

Inspectez les points suivants :

- Toutes les pièces : Présentes et sans dommage ni usure.
- Toutes les pièces : Nettoyez, cf. section 5.2.2.
- Repose-pieds : Bien serrés.
- État des roues/pneus, cf. section 5.2.1 ;
- État des pièces du cadre : Pas de déformation, d'instabilité, de faiblesse ou de connexions desserrées.
- Siège, dossier, manchettes : Pas d'usure excessive (bosses, dommages ou déchirures).
- Freins : non endommagés et complètement opérationnels

Prenez contact avec votre revendeur spécialisé pour les réparations et les remplacements de pièces éventuels.

Chaque année ou plus souvent

Faites inspecter et entretenir votre fauteuil roulant par votre revendeur spécialisé au moins une fois par an, ou plus. La fréquence d'entretien minimale dépend de l'usage et doit être déterminée de commun accord avec votre commerçant spécialisé.

En cas d'entreposage

Assurez-vous que votre fauteuil roulant est entreposé dans un endroit sec pour éviter la formation de moisissure et l'endommagement du rembourrage.

5.2 Instructions d'entretien

5.2.1 Roues et pneus

Éliminez les fils, cheveux, le sable et les fibres de vos roues.

Vérifiez le profil des pneus. Si la profondeur de la sculpture est inférieure à 1 mm, les pneus doivent être remplacés. Prenez contact avec votre revendeur spécialisé à ce propos.

Gonflez chaque pneu à la pression adéquate (cf. les indications de pression sur les pneus).

5.2.2 Nettoyage

**ATTENTION**

Risque de dommages

- N'utilisez jamais un tuyau ou un nettoyeur à haute pression pour nettoyer le fauteuil roulant.

Essuyez toutes les parties rigides du fauteuil roulant avec un chiffon humide (pas détrempé).

Si nécessaire, utilisez un savon doux, approprié pour les laques et les synthétiques.

Le rembourrage peut être nettoyé à l'eau tiède additionnée de savon doux. N'utilisez pas de produits de nettoyage abrasifs, d'éponge ou de brosse dure pour nettoyer.

5.2.3 Désinfection

**ATTENTION**

Risque de blessures et/ou de dommages

- La désinfection ne peut être réalisée que par des personnes qualifiées. Renseignez-vous auprès de votre revendeur spécialisé à cet égard.

5.3 Résolution des problèmes

N'essayez JAMAIS de réparer le fauteuil roulant vous-même. Même si vous utilisez votre fauteuil roulant de façon appropriée, les problèmes techniques ne sont pas exclus. Les symptômes suivants peuvent indiquer un problème grave. Par conséquent, prenez toujours contact avec votre revendeur spécialisé si vous détectez l'une des anomalies suivantes :

- Bruit anormal ;
- Usure inégale sur la sculpture de l'un des pneus ;
- Mouvements saccadés ;
- Le fauteuil roulant dévie d'un côté ;
- Ensembles de roues endommagés ou cassés ;

5.4 Durée de vie attendue

La durée de vie moyenne de votre fauteuil roulant est de 5 ans. Selon la fréquence d'utilisation, les circonstances de conduite et d'entretien, la durée de vie de votre fauteuil roulant augmentera ou diminuera.


5.5 Mise au rebut

À la fin de sa durée de vie, votre fauteuil roulant doit être mis au rebut conformément à la législation environnementale locale. Il est recommandé de démonter le fauteuil roulant afin de faciliter le transport des matériaux recyclables.

6 Caractéristiques techniques

Les détails techniques ci-dessous concernent uniquement ce fauteuil roulant, avec des réglages standard et dans des conditions ambiantes optimales. Veuillez tenir compte de ces détails pendant l'utilisation. Les valeurs ne sont plus valables si votre fauteuil roulant a été modifié, endommagé ou présente une usure sérieuse.

Tableau 1 : Caractéristiques techniques

Marque	Vermeiren	
Type	Fauteuil roulant manuel	
Modèle	Bobby Evo	

Description	Dimensions
Poids maximum de l'utilisateur	115kg
Largeur de siège réelle	42 cm - 48 cm
Largeur totale (largeur fauteuil de référence)	49 cm - 55 cm
Longueur complète (y compris repose-pieds)	101 cm
Longueur replié (y compris repose-pieds)	86 cm
Longueur replié (hors repose-pieds)	68 cm
Largeur replié (sans repose-pieds)	26 cm
Hauteur replié	75 cm
Hauteur totale	90 cm
Poids total	9,6 kg - 10,0 kg
Poids total de la pièce la plus lourde	8,0 kg - 8,6 kg
Partie mobile la plus lourde	Repose-pieds : 1,6 kg
Stabilité statique en descente	10°
Stabilité statique en montée	10°
Stabilité statique sur les côtés	10°
Franchissement d'obstacle	6 cm
Angle d'assise	5°
Profondeur de siège réelle	42 cm
Hauteur avant siège	49 cm
Angle du dossier	5°
Hauteur de dossier	44 cm
Distance entre la palette repose-pied et le siège	39 cm - 42 cm
Angle entre le repose-pied et le siège	114°
Distance entre l'accoudoir et le siège	20 cm
Face avant accoudoir	30 cm
Axe de roues horizontal	2,1 cm
Diamètre de braquage minimum	150 cm
Diamètre roue arrière	12,5"
Diamètre roue avant	15,5 cm
Température d'entreposage et d'utilisation	+5 °C - + 41 °C
Humidité d'entreposage et d'utilisation	30 % - 70 %
<i>Nous nous réservons le droit d'apporter des changements techniques.</i>	
<i>Tolérance de mesure ± 15 mm / 1,5 kg / 1,5°.</i>	

Inhoud

INHOUD	1
VOORWOORD	2
1 UW PRODUCT	3
1.1 ACCESSOIRES.....	3
2 VOOR GEBRUIK	4
2.1 BEOOGD GEBRUIK.....	4
2.2 GEBRUIKTE SYMBOLEN.....	4
2.3 ALGEMENE VEILIGHEIDSMATREGELEN	5
2.4 OPSLAG	5
3 UW ROLSTOEL GEBRUIKEN	6
3.1 UIT DE WEG ZETTEN	6
3.2 TRANSPORT	6
3.3 DE ROLSTOEL VOUWEN/ONTVOUWEN	7
3.4 DE VOETSTEUNEN MONTEREN/DEMONTEN.....	7
3.5 DE RUGSTEUN VOUWEN/ONTVOUWEN	8
3.6 PARKEERREMMEN	8
3.7 TRANSFER IN/UIT UW ROLSTOEL.....	9
3.8 RIJDEN	9
4 INSTALLATIE EN INSTELLINGEN	11
4.1 OMVANG VAN DE LEVERING	11
4.2 GEREEDSCHAP	11
4.3 AANPASSING REMMEN.....	11
4.4 VOETSTEUN LENGTE.....	12
5 ONDERHOUD	13
5.1 TIJDSTIPPEN VOOR ONDERHOUD	13
5.2 INSTRUCTIES VOOR ONDERHOUD	13
5.3 PROBLEEMOPLOSSING	14
5.4 VERWACHTE LEVENSDUUR	14
5.5 BEËINDIGING VAN GEBRUIK.....	14
6 TECHNISCHE SPECIFICATIES	15

Voorwoord

Proficiat! U bent eigenaar van een Vermeiren-rolstoel!

Deze rolstoel werd vervaardigd door gekwalificeerd en toegewijd personeel. Hij werd ontworpen en geproduceerd volgens hoge kwaliteitsnormen, bewaakt door Vermeiren.

Bedankt voor uw vertrouwen in de producten van Vermeiren. Om u te ondersteunen bij het gebruik van deze rolstoel en zijn bedieningsmogelijkheden, bieden we u deze handleiding aan. Lees deze informatie zorgvuldig door: het zal u helpen om vertrouwd te raken met de besturing, mogelijkheden en beperkingen van uw rolstoel.

Indien u na het lezen van deze handleiding nog vragen heeft, aarzel dan niet om contact op te nemen met uw vakhandelaar. Hij/Zij zal u met plezier verder helpen.

Belangrijke opmerking

Om uw veiligheid te garanderen, en om de levensduur van uw product te verlengen, raden we u aan om er goed zorg voor te dragen en om regelmatig nazicht en onderhoud te laten uitvoeren.

De garantie op dit product is gebaseerd op normaal gebruik en onderhoud zoals beschreven in deze handleiding. De garantie vervalt bij schade die werd veroorzaakt door verkeerd gebruik of gebrek aan onderhoud.

Deze handleiding houdt rekening met de recentste productontwikkelingen. De Firma Vermeiren behoudt zich het recht voor om wijzigingen aan dit type product door te voeren zonder verplicht te zijn om voordien geleverde producten aan te passen of te vervangen.

Afbeeldingen van het product worden gebruikt om de instructies in deze handleiding te verduidelijken. Details van het afgebeelde product kunnen afwijken van uw aangekochte product.

Beschikbare informatie

Op onze website <http://www.vermeiren.com/> kan u steeds de meest recente versie terugvinden van de informatie in deze handleiding. Contacteer deze website regelmatig voor mogelijke updates.

Mensen met een visuele beperking kunnen de elektronische versie van deze handleiding downloaden en laten voorlezen door een tekst-naar-spraak programma.



Installatiehandleiding

Voor de vakhandelaar



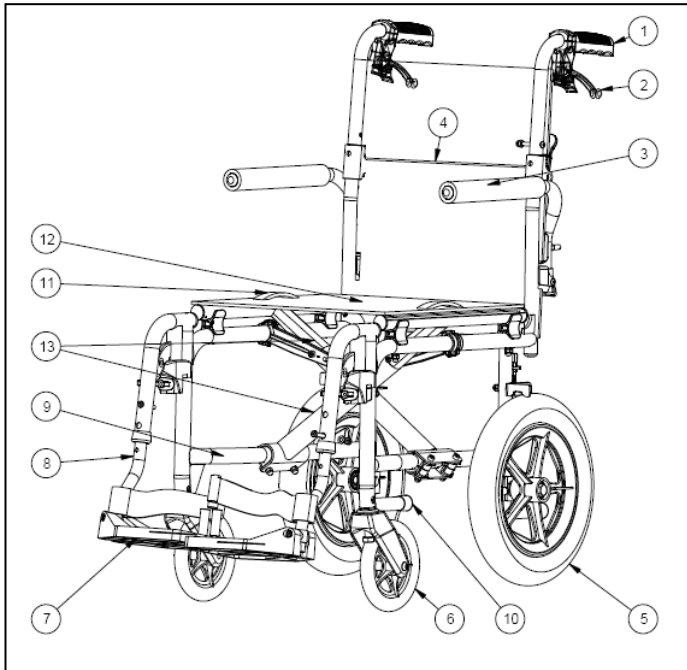
Onderhoudshandleiding voor rolstoelen

Voor de vakhandelaar



EC-conformiteitsverklaring

1 Uw product



1. Handgrepen
2. Remhendels
3. Armleggers
4. Rugsteun
5. Achterwiel
6. Aandrijfwiel (achterwiel)
7. Voetplaat
8. Voetsteun
9. Identificatieplaat
10. Trapdop
11. Handvaten om te dragen
12. Zit
13. Kruis

1.1 Accessoires

De volgende accessoires zijn beschikbaar voor Bobby Evo:

- Veiligheidsgordel (B20)

2 Voor gebruik

2.1 Beoogd gebruik

- De Bobby Evo rolstoel is bedoeld om personen te vervoeren die slecht of niet te been zijn, zoals mindervaliden of ouderen. Bobby Evo is ontworpen voor het afleggen van korte afstanden en praktische transfer.
- Deze rolstoel is uitsluitend ontworpen voor het vervoer van één (1) persoon met een maximumgewicht van 115 kg. Hij is niet bedoeld om goederen of objecten te vervoeren, noch voor enig ander gebruik dan hiervoor beschreven.
- Deze rolstoel is geschikt voor gebruik binnen en buiten.
- De rolstoel wordt door een begeleider voortgeduwd.
- Deze rolstoel is niet geschikt om te gebruiken als een zit in een motorvoertuig.
- Gebruik enkel accessoires en reserveonderdelen die werden goedgekeurd door Vermeiren.
- Geen contra-indicaties.

2.2 Gebruikte symbolen

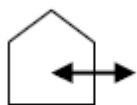
Manuele rolstoelen moeten voldoen aan de volgende voorschriften:

GB/T 18029.8-2008

GB/T 18029-2000



Maximum gewicht van de gebruiker in kg



Gebruik binnen en buiten



Maximale veilige helling in ° (graden)



CE-conformiteit



Type aanduiding



Niet geschikt om te gebruiken als zit in een motorvoertuig

2.3 Algemene veiligheidsmaatregelen

 WAARSCHUWING Gevaar voor letsel en/of beschadiging

Houd rekening met de volgende algemene waarschuwingen tijdens het gebruik:

- Houd er rekening mee dat sommige onderdelen van uw rolstoel zeer warm of koud kunnen worden door omgevingstemperatuur, de zon of verwarmingstoestellen. Wees daarom voorzichtig bij het aanraken. Draag beschermende kleding bij koud weer.
- Wijzig uw rolstoel nooit zelf, en houd rekening met de instructies voor zorg en onderhoud. De fabrikant is niet verantwoordelijk voor schade veroorzaakt door foutief onderhoud.
- Houd steeds rekening met de draaicirkel van de voetsteun om te voorkomen dat voorbijgangers verwond raken, of dat objecten beschadigd raken.
- Houd de rolstoel tijdens transport niet vast bij verwijderbare onderdelen (wielen, armsteunen, voetsteunen, et cetera). Houd de rolstoel enkel vast bij het frame.
- Wanneer u rijdt in het donker, draag dan lichte of reflecterende kleding, en zorg ervoor dat de reflectoren aan de voor- en achterkant van de rolstoel goed zichtbaar zijn.
- Overschrijd het maximum gewicht niet zoals vastgelegd in hoofdstuk sectie 6.

2.4 Opslag

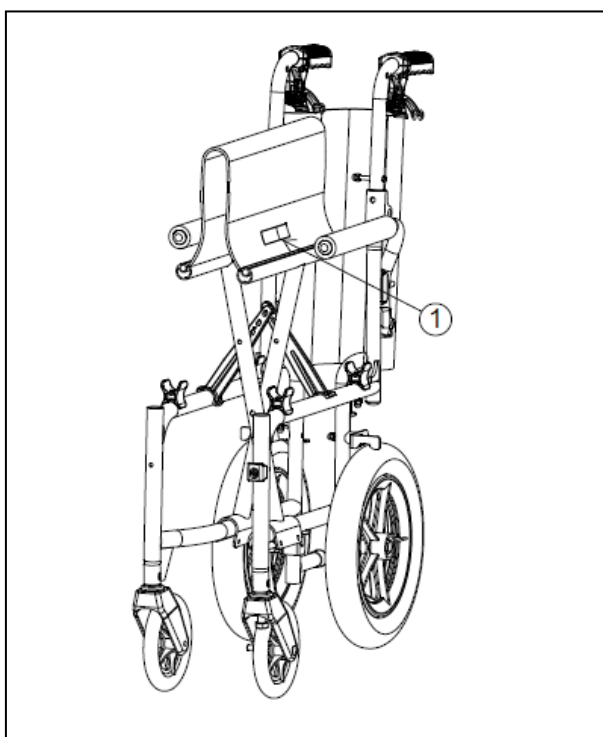
- i** Zorg ervoor dat uw rolstoel droog wordt bewaard om schimmel of schade aan de bekleding te voorkomen, zie de technische details in hoofdstuk 6.

3 Uw rolstoel gebruiken

Dit hoofdstuk beschrijft het dagelijkse gebruik van Bobby Evo voor gebruikers en handelaars. De rolstoel wordt volledig gemonteerd aan de gebruiker bezorgd. Voor de vakhandelaar geven we ook instructies om de rolstoel te monteren.

3.1 Uit de weg zetten

Gebruik de wielen om de rolstoel te verplaatsen en naar zijn eindbestemming te rollen. Als dit niet mogelijk is en opvouwen niet gewenst is, pak het frame dan met beide handen goed vast en til de rolstoel van de grond. Neem de rolstoel niet aan de voet- of armsteunen, of aan de wielen vast.



U kan ook het handvat van de zit (1) gebruiken om de rolstoel te dragen. Verwijder eerst de voetsteunen en vouw de rolstoel. Nu kan u de handvatten aan beide kanten vastnemen en de stoel naar de gewenste plaats dragen.

3.2 Transport


WAARSCHUWING
Gevaar voor letsel

- Gebruik de rolstoel NIET als zit in een voertuig, zie het symbool.
- Gebruik nooit dezelfde veiligheidsriem voor de passagier en rolstoel.



1. Als gebruiker stapt u over naar een autozit, zie sectie 3.7.
2. Verwijder de voetsteunen en andere accessoires.
3. 2. Vouw de rolstoel op tot zijn meest compacte vorm volgens de instructies in 3.3.
4. Berg de rolstoel, voetsteunen en accessoires op in de bagageruimte of achter de passagiersstoel. Als de bagage en passagiers compartimenten niet gescheiden of afgesloten zijn, maak dan het frame van de rolstoel goed vast aan het voertuig. U kan hierbij een beschikbare veiligheidsgordel gebruiken.

3.3 De rolstoel vouwen/ontvouwen



WAARSCHUWING

Gevaar voor letsel

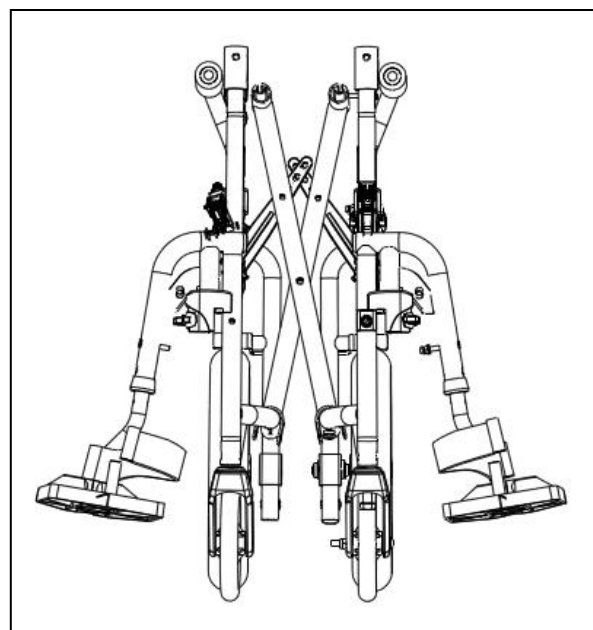
- Blijf uit de buurt van bewegende onderdelen om te voorkomen dat uw vingers gekneld raken.

Om de rolstoel te ontvouwen:

1. Ga aan de achterzijde van de stoel staan
2. Vouw de rug open (zie sectie 3.5).
3. Gebruik de handgrepen om de stoel zo ver mogelijk te openen.
4. Ga aan de voorzijde van de stoel staan.
5. Duw beide buizen waaraan de zit bevestigd is, verder naar beneden totdat ze op hun plaats klikken.

Om de rolstoel te vouwen:

1. Klap de voetplaten omhoog, of verwijder de voetsteunen (zie sectie 3.4).
2. Vouw de rug op (zie sectie 3.5);
3. Neem de zit aan de voor- en achterzijde vast en trek deze naar boven.



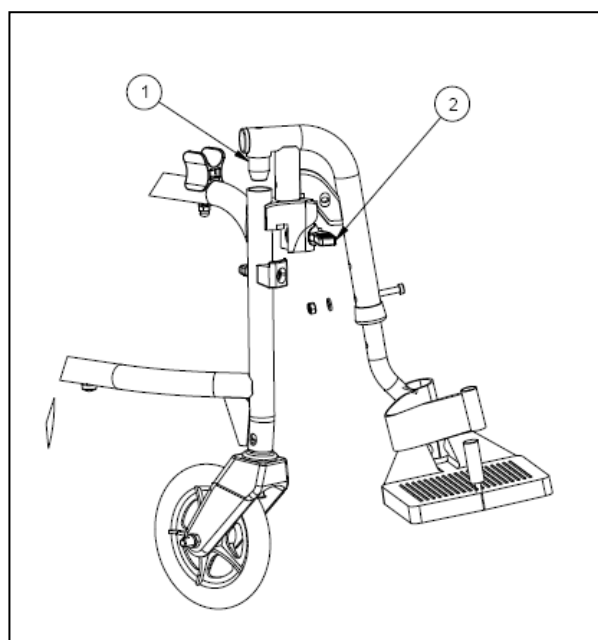
3.4 De voetsteunen monteren/demonteren



WAARSCHUWING

Gevaar voor letsel

- Zorg ervoor dat de voetsteunen stevig vaststaan voor gebruik.
- Houd steeds rekening met de draaicirkel van de voetsteun om te voorkomen dat voorbijgangers verwond raken, of dat objecten beschadigd raken.



Om de voetsteunen te plaatsen:

1. Houd de voetsteun aan de zijkant van de rolstoel plaats de dop ① in het rolstoelframe.
2. Draai de voetsteun naar binnen totdat hij vastklikt.
3. Draai de voetplaat naar beneden.
4. Herhaal voor de tweede voetsteun.

Om de voetsteunen te verwijderen:

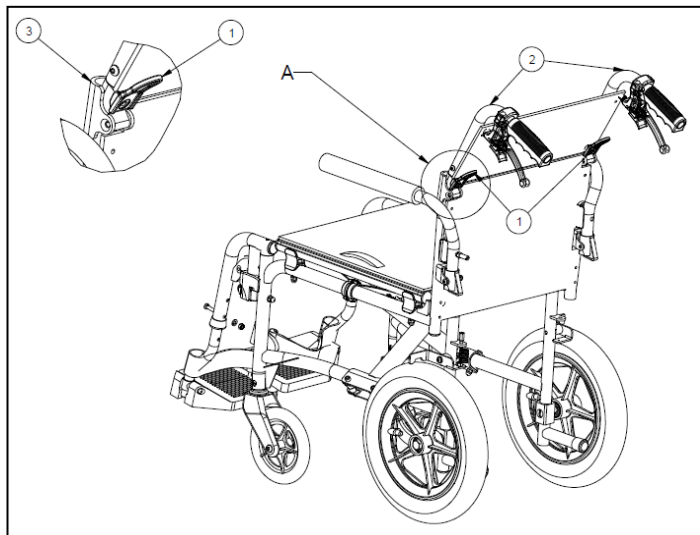
1. Trek hendel ② omhoog
2. Draai de voetsteun naar buiten.
3. Verwijder de voetsteun.
4. Herhaal voor de tweede voetsteun.

3.5 De rugsteun vouwen/ontvouwen



Gevaar voor letsel

- Zorg ervoor dat de rugsteun stevig vaststaat voor gebruik.



Om de rug te ontvouwen:

1. Trek de rugbuizen ② naar boven totdat de rug volledig geblokkeerd is.
2. Zorg ervoor dat de rug weer stevig vaststaat.

Om de rug te vouwen:

1. Trek aan de hendels ①, totdat de blokkeerpen ③ uit de boring komt.
2. Laat de rugbuizen zakken totdat de rug volledig opgevouwen is.

3.6 Parkeerremmen



Gevaar voor letsel

- Gebruik de remmen niet om af te remmen tijdens het rijden.
- De remmen zijn aanpasbaar en zullen na verloop van tijd slijtage vertonen. Kijk daarom de remmen na voor ieder gebruik.
- Zorg ervoor dat de rolstoel op een vlakke ondergrond staat vooraleer de rem te lossen.

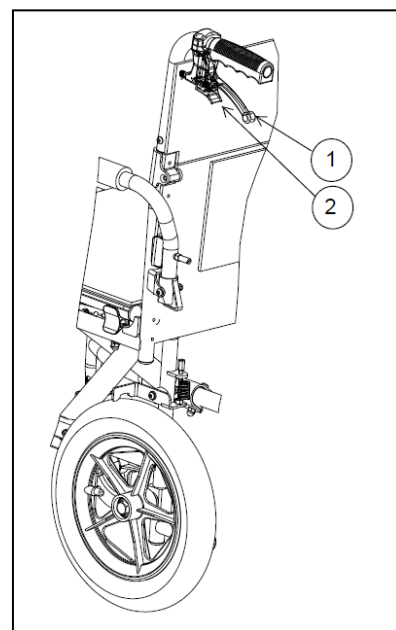
De parkeerremmen kunnen enkel door een begeleider bediend worden.

De remmen vastzetten:

1. Trek de remhendel ① omhoog.
2. Duw op onderdeel ② om de remmen te blokkeren.

De remmen loszetten:

1. Maak onderdeel ② los.
2. Laat de remhendels ① los.



3.7 Transfer in/uit uw rolstoel



WAARSCHUWING

Gevaar voor letsel en/of beschadiging

- Als u de transfer niet op een veilige manier kan uitvoeren, vraag dan hulp.
- Ga niet op de voetplaten staan om in of uit de rolstoel te stappen.

Transfer

1. Plaats de rolstoel zo dicht mogelijk bij de stoel, zetel of het bed waarop u zit.
2. Activeer beide parkeerremmen om de beweging te blokkeren, zie sectie 3.6.
3. Vouw de voetplaten omhoog om te voorkomen dat u erop gaat staan, of draai de beensteunen opzij om plaats te maken voor transfer.
4. Indien nodig, verwijder de voetsteun aan een zijde (zie sectie 3.4).
5. Beweeg naar/uit uw rolstoel door kracht te zetten op uw armen, of met behulp van een begeleider of liftmateriael.

Zitten in de rolstoel:

1. Ga zitten op de zit met uw onderrug tegen de rugsteun.
2. Plaats de voetsteun terug, indien verwijderd.
3. Draai de voetsteunen terug naar voor, vouw de voetplaten naar beneden en plaats uw voeten erop.

3.8 Rijden



WAARSCHUWING

Gevaar voor letsel en/of beschadiging

- Vermijd dat uw handen gekneld raken tussen de aandrijfhoepels wanneer u door smalle doorgangen rijdt.
- Rijd NIET op hellingen, hindernissen, treden of stoepranden die groter zijn dan beschreven in hoofdstuk 6.

1. Zet de remmen los (zie sectie 3.6).
2. De begeleider neemt de handgrepen vast.
3. De begeleider duwt de rolstoel naar de gewenste plaats.

3.8.1 Rijden op hellingen



WAARSCHUWING

Gevaar voor letsel

- Controleer uw snelheid - vertraag op de helling.
- Houd rekening met de capaciteit van uw begeleider - Als uw begeleider de rolstoel niet kan controleren, zet dan de remmen op.

1. Indien beschikbaar, bevestig uw veiligheidsgordel.
2. De begeleider duwt u op/af de helling.
3. Bij het oprijden van de helling, leun voorwaarts om uw zwaartepunt naar voor te verplaatsen. Bij het afrijden van de helling, leun achterwaarts.



3.8.2 Omgaan met hindernissen



Gevaar voor letsel en/of beschadiging

- Indien nodig, verwijder de voetsteunen om zeker te zijn dat ze de grond niet raken.
- Neem stoepranden of obstakels steeds met de hulp van een begeleider.

Stoepranden voorwaarts afgaan:

1. De begeleider kantelt de rolstoel lichtjes naar achter om het zwaartepunt te verplaatsen naar de achterwielen..
2. Duw het achterwiel over de stoeprand.



Stoepranden achterwaarts afgaan:

1. De begeleider nadert de stoeprand achterwaarts.
2. Leun voorwaarts om uw zwaartepunt te verplaatsen.
3. Rij en til het achterwiel over de stoeprand.
4. Trek de voorwielen voorzichtig over de stoeprand.



Stoepen en obstakels oprijden

1. Kantel de rolstoel achterwaarts door uw voet op de trapdop te zetten.
2. Beweeg de voorwielen op de stoep en zet ze op de grond.
3. Duw het achterwiel op de stoeprand.



3.8.3 Trappen nemen



Gevaar voor letsel en/of beschadiging

- Gebruik uw rolstoel niet op roltrappen.
 - Trappen mogen enkel genomen worden met behulp van (ten minste) twee begeleiders.
1. Verwijder de voetsteunen, zie sectie 3.4.
 2. Laat één begeleider de rolstoel lichtjes naar achteren kantelen.
 3. De tweede begeleider neemt het frame van de rolstoel aan bij de kanten aan de voorzijde vast.
 4. Rijd de achterwielen zachtjes van trede tot trede. Vermijd schokkerige bewegingen.
 5. Na het nemen van de trap, plaats de voetsteunen terug, zie sectie 3.4.

4 Installatie en instellingen

Dit hoofdstuk is voornamelijk bedoeld voor de vakhandelaar.

WAARSCHUWING Gebruik enkel onderdelen en gereedschap zoals beschreven in deze handleiding.

4.1 Omvang van de levering

Bobby Evo wordt geleverd met:

1. Frame met armsteunen, achter- en voorwielen;
2. Een paar voetsteunen;
3. Handgrepen + Remhendels
4. Rug en zitkussen;
5. Gereedschap: inbussleutel nr. 4 en steeksleutel
6. Instructies;
7. Accessoires (optioneel).

Voor gebruik, controleer of alles is meegeleverd en of er geen beschadiging is aan de onderdelen.

4.2 Gereedschap

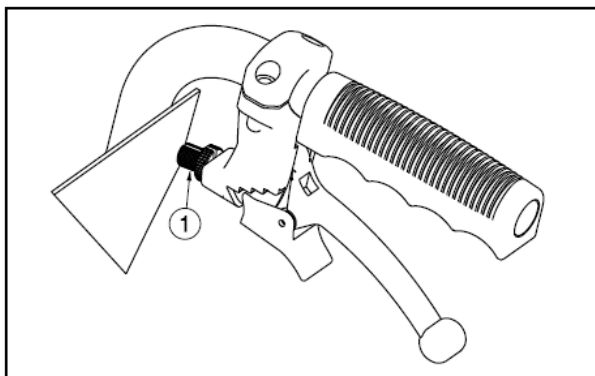
Om de rolstoel aan te passen, is volgend gereedschap nodig:

- nr. 10 steeksleutel
- nr. 4 inbussleutel

4.3 Aanpassing remmen

WAARSCHUWING Gevaar voor letsel en/of beschadiging

- De remmen mogen enkel aangepast worden door uw vakhandelaar.



1. Draai ① om de spanning van de remkabel aan de passen.
2. Ga het effect op de remmen na.
3. Indien nodig, herhaal stap ① totdat de remmen goed zijn afgesteld.

4.4 Voetsteun lengte

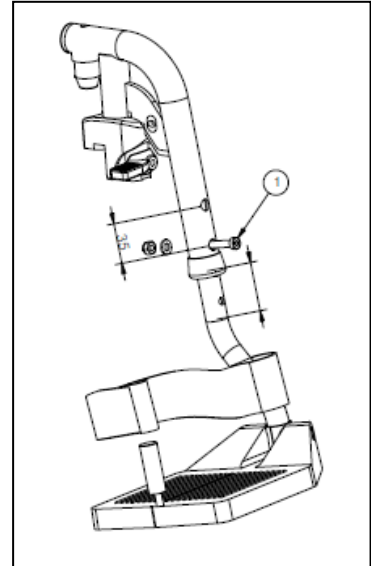


Gevaar voor beschadiging

- Vermijd contact tussen de voetsteun en grond. Houd een minimumafstand van 6cm.

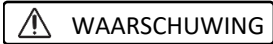
Er zijn twee posities mogelijk voor de lengte (35 mm interval):

1. Draai de schroef ① los aan de voorkant van de rolstoel.
2. Verplaats de voetsteun tot comfortabele hoogte.
3. Draai schroef ① weer vast aan.



5 Onderhoud

5.1 Tijdstippen voor onderhoud



WAARSCHUWING

Gevaar voor letsel en/of beschadiging

- Reparaties en vervangingen mogen enkel uitgevoerd worden door opgeleid personeel, en enkel originele onderdelen van Vermeiren mogen hierbij gebruikt worden.

Voor ieder gebruik

Kijk de volgende punten na:

- Alle onderdelen: aanwezig en niet beschadigd of versleten.
- Alle onderdelen: schoon, zie sectie 5.2.2.
- Voetsteunen: zitten goed vast.
- Staat van de wielen/banden, zie sectie 5.2.1.
- Staat van de frameonderdelen: geen vervorming, instabiliteit, zwakte of losse verbindingen.
- Zit, rugsteun, armleggers: geen overmatige slijtage (bijv. gedeukte plekken, schade of scheuren).
- Remmen: onbeschadigd en werkend.

Contacteer uw vakhandelaar voor eventuele reparaties of vervanging van onderdelen.

Jaarlijks of vaker

Laat uw rolstoel nakijken en onderhouden door uw vakhandelaar, ten minste één keer per jaar of vaker. De minimale onderhoudsfrequentie is afhankelijk van het gebruik en moet daarom besproken worden met uw vakhandelaar.

Bij opslag

Zorg ervoor dat uw rolstoel droog wordt bewaard om schimmel of schade aan de bekleding te voorkomen.

5.2 Instructies voor onderhoud

5.2.1 Wielen en banden

Houd de wielen vrij van draden, haar, zand en vezels.

Kijk het profiel van de banden na. Als de profieldiepte minder dan 1 mm bedraagt, moeten de banden vervangen worden. Contacteer hiervoor uw vakhandelaar.

Pomp de banden op volgens de correcte spanning (zie drukindicatie op de banden).

5.2.2 Schoonmaak



Gevaar voor beschadiging

- Gebruik nooit een tuinslang of hogedrukreiniger om de rolstoel schoon te maken.

Veeg alle harde onderdelen van de rolstoel schoon met een vochtig doek (niet doorweekt). Indien nodig, gebruik een milde zeep die geschikt is voor vernis en synthetische materialen. De bekleding kan schoon worden gemaakt met lauw water en een milde zeep. Gebruik geen agressieve schoonmaakmiddelen.

5.2.3 Ontsmetting



Gevaar voor letsel en/of beschadiging

- Ontsmetting mag enkel worden uitgevoerd door getraind personeel. Neem contact op met uw vakhandelaar.

5.3 Probleemoplossing

Probeer **NOOIT** zelf uw rolstoel te repareren. Ook wanneer u de rolstoel correct gebruikt, is het toch mogelijk dat er een technisch probleem optreedt. De volgende tekenen kunnen wijzen op een ernstig probleem. Neem daarom steeds contact op met uw vakhandelaar als u een van de volgende afwijkingen opmerkt:

- Vreemde geluiden;
- Oneven bandenslijtage op een van de banden;
- Schokkerige bewegingen;
- De rolstoel buigt af naar één kant;
- Beschadigde of kapotte wielmontages;

5.4 Verwachte levensduur

De gemiddelde levensduur van uw rolstoel is 5 jaar. De levensduur zal toenemen of afnemen afhankelijk van de gebruiksfrequentie, rijomstandigheden en onderhoud.


5.5 Beëindiging van gebruik

Op het einde van de levensduur moet u de rolstoel vernietigen volgens de lokale milieuwetgeving. De beste manier om dit te doen, is de rolstoel te demonteren om het vervoer van de recycleerbare onderdelen te vergemakkelijken.

6 Technische specificaties

Onderstaande technische gegevens zijn enkel geldig voor deze rolstoel, met standaard instellingen en optimale omgevingscondities. Houd bij gebruik rekening met deze details. Deze waarden zijn niet meer van toepassing als uw rolstoel werd gewijzigd, of wanneer hij beschadigd of ernstig versleten is.

Tabel 1: Technische specificaties

Merk	Vermeiren	
Type	Manuele rolstoel	
Model	Bobby Evo	

Omschrijving	Afmetingen
Max. gewicht van gebruiker	115kg
Effectieve zitbreedte	42 cm - 48 cm
Totale breedte	49 cm - 55 cm
Totale lengte met voetsteun	101 cm
Gevouwen lengte met voetsteun	86 cm
Gevouwen lengte zonder voetsteun	68 cm
Gevouwen breedte zonder voetsteun	26 cm
Gevouwen hoogte	75 cm
Totale hoogte	90 cm
Totaal gewicht	9.6 kg - 10.0 kg
Gewicht van zwaarte onderdeel	8.0 kg - 8.6 kg
Zwaarste verwijderbare onderdeel	Voetsteun: 1.6 kg
Statische stabiliteit bergaf	10°
Statische stabiliteit bergop	10°
Statische stabiliteit zijwaarts	10°
Maximale hoogte hindernis	6 cm
Zithoek	5°
Effectieve zitdiepte	42 cm
Zithoogte aan voorzijde	49 cm
Rughoek	5°
Rughoogte	44 cm
Afstand tussen voetplaat en zit	39 cm - 42 cm
Hoek tussen voetplaat en zit	114°
Afstand tussen armlegger en zit	20 cm
Afstand voorzijde armsteun	30 cm
Horizontale afstand van de as (uitwijking)	2.1 cm
Minimale draairadius	150 cm
Diameter achterwielen	12.5"
Diameter voorwielen	15.5 cm
Opslag- en gebruikstemperatuur	+5 °C - +41 °C
Opslag- en gebruiksluchtvochtigheid	30% - 70%
<i>We behouden ons het recht voor om technische wijzigingen te introduceren.</i>	
<i>Meettolerantie ± 15 mm / 1,5 kg / 1,5°.</i>	



INHALT

INHALT	1
VORWORT	2
1 IHR PRODUKT	3
1.1 ZUBEHÖR	3
2 VOR DER BENUTZUNG	4
2.1 VORGESEHENE BENUTZUNG.....	4
2.2 ERLÄUTERUNG DER SYMBOLE	4
2.3 ALLGEMEINE SICHERHEITSHINWEISE.....	5
2.4 LAGERUNG	5
3 BENUTZUNG DES ROLLSTUHL	6
3.1 ROLLSTUHL AUS DEM WEG SCHAFFEN	6
3.2 TRANSPORT	6
3.3 AUFFALTEN/ZUSAMMENFALTEN DES MANUELLEN ROLLSTUHL	7
3.4 MONTIEREN/ABBAUEN DER FUßSTÜTZEN	7
3.5 ZUSAMMEN-/AUSEINANDERKLAPPEN DER RÜCKEN	8
3.6 BETÄTIGEN DER BREMSEN	8
3.7 ZUM ROLLSTUHL HIN BEWEGEN/VOM ROLLSTUHL WEG BEWEGEN	9
3.8 FAHREN	10
4 MONTAGE UND EINSTELLUNGEN	12
4.1 LIEFERUMFANG.....	12
4.2 WERKZEUGE	12
4.3 EINSTELLEN DER BREMSEN	12
4.4 LÄNGE DER FUßSTÜTZEN	13
5 WARTUNG	14
5.1 WARTUNGSPUNKTE	14
5.2 WARTUNGSHINWEISE.....	14
5.3 STÖRUNGSBESEITIGUNG.....	15
5.4 VORAUSSICHTLICHE NUTZUNGSDAUER	15
5.5 NUTZUNGSENDE	15
6 TECHNISCHE DATEN	16

Herzlichen Glückwunsch! Sie sind nun Besitzer eines Vermeiren-Rollstuhls!

Dieser Rollstuhl wurde von versierten und engagierten Mitarbeitern gefertigt. Er entspricht hinsichtlich Konstruktion und Fertigung den hohen Qualitätsstandards von Vermeiren.

Vielen Dank für Ihr Vertrauen in Produkte von Vermeiren. Dieses Handbuch soll Ihnen bei der Benutzung dieses Rollstuhls und seiner Bedienmöglichkeiten helfen. Lesen Sie es daher bitte aufmerksam durch, um sich mit der Bedienung, den Fähigkeiten und Beschränkungen Ihres Rollstuhls vertraut zu machen.

Sollten Sie nach der Lektüre dieses Handbuchs noch Fragen haben, können Sie sich jederzeit an Ihren Fachhändler wenden. Er wird Ihnen gerne in dieser Angelegenheit weiterhelfen.

Wichtiger Hinweis

Um Ihre Sicherheit zu gewährleisten und die Nutzungsdauer Ihres Produkts zu verlängern, sollten Sie es gut behandeln und regelmäßig überprüfen und/oder warten lassen.

Die Garantie für dieses Produkt beruht auf dessen normaler Benutzung und Wartung wie in diesem Handbuch beschrieben. Schäden an Ihrem Produkt, die auf unsachgemäße Benutzung oder mangelnde Wartung zurückzuführen sind, führen zum Erlöschen der Garantie.

Dieses Handbuch enthält die neuesten Produktentwicklungen. Vermeiren behält sich das Recht vor, Veränderungen an dieser Art von Produkt vorzunehmen, ohne eine Verpflichtung einzugehen, ähnliche bereits ausgelieferte Produkte anzupassen oder auszutauschen.

Abbildungen des Produkts dienen zur Verdeutlichung der Anweisungen in diesem Handbuch. Das gezeigte Produkt kann in Details von Ihrem Produkt abweichen.

Verfügbare Informationen

Auf unserer Webseite <http://www.vermeiren.com/> finden Sie stets die aktuellste Version der folgenden Informationen. Informieren Sie sich bitte regelmäßig auf dieser Website nach eventuell verfügbaren Aktualisierungen.

Sehbehinderte Menschen können sich die elektronische Version dieses Handbuchs herunterladen und mit Hilfe einer Sprachsyntheselösung („Text-to-Speech-Software“) vorlesen lassen.



Installationsanweisungen

Für Fachhändler



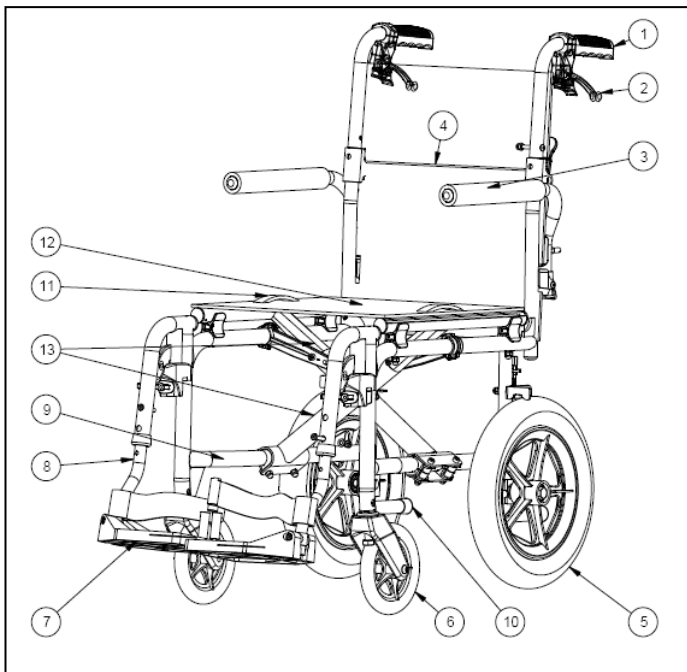
Servicehandbuch für Rollstühle

Für Fachhändler



EG-Konformitätserklärung

1 IHR PRODUKT



1. Handgriffe
2. Feststellbremse
3. Armpolster
4. Rückenlehne
5. Hinterrad
6. Schwenkrad (Vorderrad)
7. Fußplatte
8. Fußstütze
9. Typenschild
10. Ankipphilfe
11. Sitzkissengriff
12. Sitzkissen
13. Schere

1.1 Zubehör

Folgendes Zubehör ist für den Bobby Evo erhältlich:

- Sicherheitsgurt (B20)

2 Vor der Benutzung

2.1 Vorgesehene Benutzung

- Der Bobby Evo Rollstuhl ist für den Transport einer Person vorgesehen, die Schwierigkeiten beim Gehen hat oder nicht gehen kann, zum Beispiel für behinderte und ältere Personen. Der Bobby Evo ist für kurze Strecken und einen bequemen Transfer konzipiert.
- Der manuelle Rollstuhl ist für den Transport einer einzelnen (1) Person mit einem Gewicht von maximal 115 kg vorgesehen. Er ist nicht dafür vorgesehen, Sachen oder Objekte zu transportieren oder zu anderen Zwecken als zuvor beschrieben benutzt zu werden.
- Dieser manuelle Rollstuhl ist für den Innen- und Außenbereich geeignet.
- Der Rollstuhl mit der zu transportierenden Person wird durch die Begleitperson bewegt.
- Dieser Rollstuhl ist nicht für die Benutzung als Sitz in einem Motorfahrzeug vorgesehen.
- Verwenden Sie ausschließlich von Vermeiren genehmigte Zubehör- oder Ersatzteile.
- Keine Gegenanzeigen.

2.2 Erläuterung der Symbole

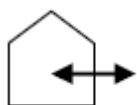
Manuelle Rollstühle sollten folgende Anforderungen erfüllen:

GB/T 18029.8-2008

GB/T 18029-2000



Maximalgewicht des Benutzers (in kg)



Zur Verwendung im Innen- und Außenbereich.



Maximale Neigungssicherheit in ° (Grad).



CE-Konformität



Typenbezeichnung



Nicht für die Benutzung als Sitz in einem Motorfahrzeug vorgesehen.

2.3 Allgemeine Sicherheitshinweise



VORSICHT

Gefahr von Personen- und/oder Sachschäden

Beachten Sie bei der Benutzung die folgenden allgemeinen Warnhinweise:

- Beachten Sie, dass bestimmte Teile Ihres Rollstuhls infolge der Umgebungstemperatur, Sonneneinstrahlung, Heizkörpern usw. sehr warm oder sehr kalt werden können. Seien Sie daher vorsichtig beim Berühren. Tragen Sie bei kaltem Wetter Schutzbekleidung.
- Nehmen Sie nicht selber irgendwelche Veränderungen an Ihrem Rollstuhl vor und beachten Sie die Anweisungen für die Pflege und den Service. Bei Schäden aufgrund von mangelnder Wartung/Pflege haftet der Hersteller nicht.
- Berücksichtigen Sie stets den Schwenkbereich der Fußstütze, um keine in der Nähe befindlichen Personen zu verletzen oder Gegenstände zu beschädigen.
- Fassen Sie den Rollstuhl zum Transportieren nie an den beweglichen Teilen (Räder, Armlehnen, Fußstützen, usw.) an. Greifen Sie nur den Rahmen des Rollstuhls.
- Wenn Sie bei Dunkelheit fahren, tragen Sie helle oder reflektierende Kleidung und stellen Sie sicher, dass die an der Seite und Rückseite des manuellen Rollstuhls angebrachten Reflektoren gut sichtbar sind.
- Überschreiten Sie niemals die maximale Last, wie in Abschnitt 6 angegeben.

2.4 Lagerung

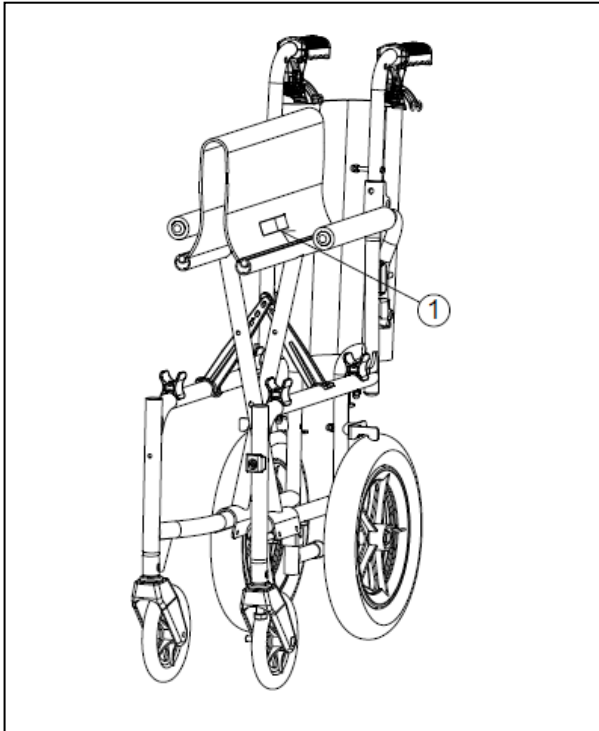


Achten Sie darauf, dass Ihr Rollstuhl trocken untergebracht ist, um zu verhindern, dass sich Schimmel bildet oder die Polsterung beschädigt wird; siehe auch technische Details in Abschnitt 6.

3 Benutzung des Rollstuhls

Dieses Kapitel beschreibt den täglichen Gebrauch des Bobby Evo Rollstuhls für Benutzer und Händler. Der Rollstuhl geliefert dem Benutzer vollständig zusammengebaut geliefert. Für den Händler beschreiben wir auch, wie der manuelle Rollstuhl montiert wird.

3.1 Rollstuhl aus dem Weg schaffen



Bewegen Sie den Rollstuhl durch Drehen seiner Räder und rollen Sie ihn zum Bestimmungsort. Wenn dies nicht möglich und ein Zusammenfallen nicht erwünscht ist, greifen den Rahmen mit beiden Händen und heben Sie ihn vom Boden an. Greifen Sie den Rollstuhl weder an Fußstütze oder Armauflagen noch an den Rädern.

Sie können auch den Kissengriff ① benutzen, um den manuellen Rollstuhl zu tragen. Entfernen Sie zuerst die Fußstütze und falten Sie dann den manuellen Rollstuhl zusammen. So können Sie die Griffe auf beiden Seiten des Rollstuhls greifen und den Rollstuhl an die gewünschte Stelle tragen.

3.2 Transport

 **VORSICHT** Verletzungsgefahr

- Benutzen Sie Ihren Rollstuhl NICHT als Sitz in einem Fahrzeug; siehe folgendes Symbol.
- Benutzen Sie niemals denselben Sicherheitsgurt für Fahrgast und Rollstuhl.



1. Der Transfer der im Rollstuhl sitzenden Person zum Fahrzeugsitz ist in Abschnitt 3.7 beschrieben.
2. Entfernen Sie die Fußstützen und anderes Zubehör.
3. Falten des Rollstuhls zu seiner kompakten Größe zusammen, wie in Abschnitt 3.3 beschrieben.
4. Bringen Sie Rollstuhl, Fußstützen und Zubehör im Gepäckraum oder hinter dem Beifahrersitz unter. Falls Gepäckraum und Fahrgastzelle NICHT voneinander getrennt sind, muss der Rahmen des Rollstuhls sicher am Fahrzeug befestigt werden. Sie können dafür die im Fahrzeug vorhandenen Sicherheitsgurte benutzen.

3.3 Auffalten/Zusammenfalten des manuellen Rollstuhls

⚠ ACHTUNG Verletzungsgefahr

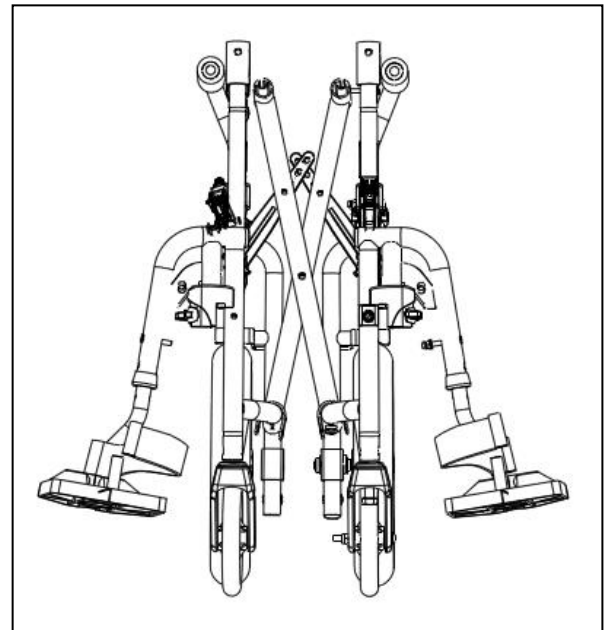
- Halten Sie sich von den beweglichen Teilen des Rollstuhls fern, damit Sie sich Ihre Finger nicht quetschen.

Auffalten des Rollstuhls:

1. Stellen Sie sich hinter den manuellen Rollstuhl.
2. Öffnen Sie die Rückenlehne (siehe Abschnitt 3.5).
3. Falten Sie den manuellen Rollstuhl an den Schiebegriffen so weit wie möglich auseinander.
4. Stellen Sie sich vor den manuellen Rollstuhl.
5. Drücken Sie die beiden Sitzrohre neben dem Sitz herunter, bis sie an Ort und Stelle fixiert sind.

Zusammenfalten des Rollstuhls:

1. Klappen Sie die Fußplatte hoch oder entfernen Sie die Fußstütze (siehe Abschnitt 3.4);
2. Falten Sie die Rückenlehne (siehe Abschnitt 3.5).
3. Greifen Sie Vorder- und Rückseite des Kissens in der Mitte und heben Sie sie an.



3.4 Montieren/Abbauen der Fußstützen

⚠ ACHTUNG Verletzungsgefahr

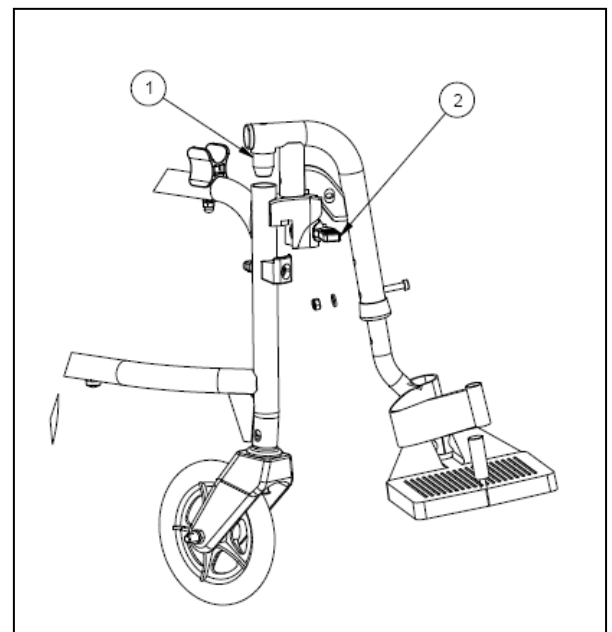
- Stellen Sie vor Gebrauch sicher, dass die Fußstützen gut gesichert sind.
- Achten Sie darauf, dass sich keine Personen oder Gegenstände im Schwenkbereich der Fußstütze befinden.

Montieren der Fußstützen:

1. Halten Sie die Fußstützen seitlich fest und setzen Sie den Rohrstopfen ① in den Rollstuhlrahmen ein.
2. Schwenken Sie die Fußstütze nach innen, bis sie einrastet.
3. Senken Sie die Fußplatte ab.
4. Wiederholen Sie diesen Vorgang für die zweite Fußstütze.

Abbauen der Fußstützen:

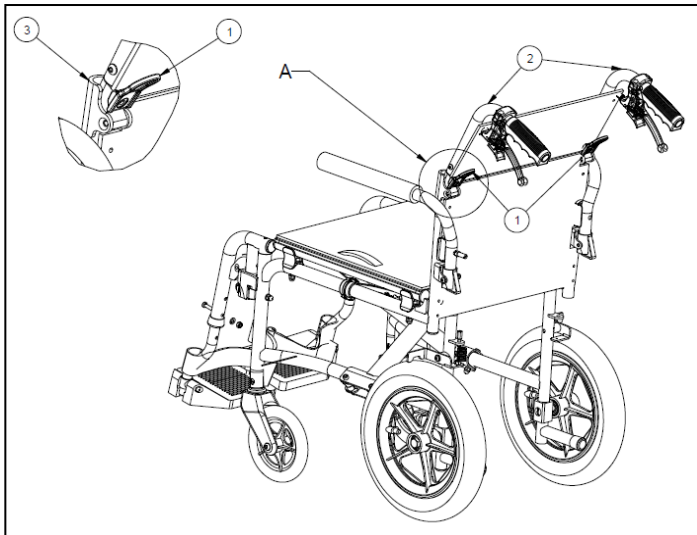
1. Heben Sie den Griff ② an.
2. Drehen Sie die Fußstütze nach außen.
3. Entfernen Sie die Fußstütze.
4. Wiederholen Sie diesen Vorgang für die zweite Fußstütze.



DE 3.5 Zusammen-/Auseinanderklappen der Rücken

⚠ ACHTUNG Verletzungsgefahr

- Achten Sie darauf, dass die Rücken vor Gebrauch des Stuhls fest arretiert sind.



So klappen Sie die Rückenlehne auseinander:

1. Ziehen Sie die Rückenlehnen-Stangen ② nach oben, bis sich die Rückenlehne in der korrekten Position befindet.
2. Vergewissern Sie sich, dass die Rückenlehne eingerastet ist.

So klappen Sie die Rückenlehne zusammen:

1. Ziehen Sie an den Hebeln ①, bis der Stift ③ aus dem Loch gezogen ist.
2. Ziehen Sie die oberen Rückenlehnen-Stangen ② nach unten, bis die Rückenlehne komplett zusammengeklappt ist.

3.6 Betätigen der Bremsen

⚠ ACHTUNG Verletzungsgefahr

- Die Bremsen dienen nicht dazu, die Bewegung des Transportrollstuhls abzubremesen.
- Die ordnungsgemäße Funktion der Bremsen kann durch Verschleiß oder Schmutz (auch Wasser, Öl, Schlamm usw.) beeinträchtigt werden.
- Die Bremsen sind einstellbar und können verschleifen. Überprüfen Sie daher vor jeder Rollstuhlnutzung den Zustand der Bremsen.
- Gefahr einer unbeabsichtigten Bewegung. Achten Sie darauf, dass der Transportrollstuhl auf einer flachen, horizontalen Fläche steht, bevor Sie die Bremsen lösen.

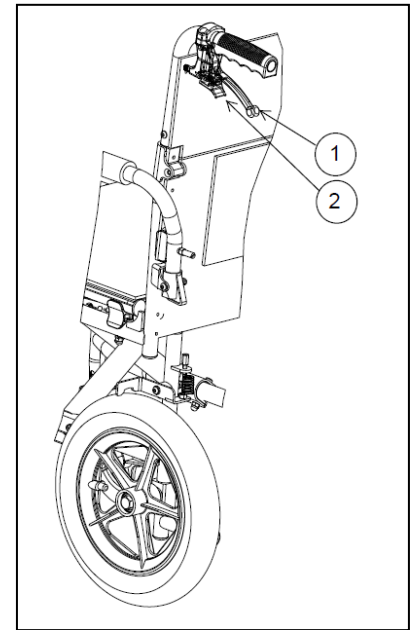
Die Bremsen können nur vom Helfer betätigt werden.

So aktivieren Sie die Parkbremsen:

1. Ziehen Sie die Bremshebel ① nach oben.
2. Drücken Sie Teil ②, um die Bremsen zu blockieren.

So deaktivieren Sie die Parkbremsen:

1. Lösen Sie zunächst Teil ②.
2. Lösen Sie die Bremshebel ①.



3.7 Zum Rollstuhl hin bewegen/Vom Rollstuhl weg bewegen



ACHTUNG

Gefahr von Personen- und/oder Sachschäden

- Falls Sie den Vorgang allein nicht sicher bewältigen können, bitten Sie jemanden um Hilfe.
- Stellen Sie sich beim Umsetzen in den oder aus dem Rollstuhl nicht auf die Fußplatten.

Transfer:

1. Stellen Sie den manuell Rollstuhl möglichst dicht neben sich, wenn Sie in einem Sessel, auf einem Sofa, Stuhl oder Bett sitzen.
2. Ziehen Sie beide Feststellbremsen an, um die Bewegung zu blockieren, siehe Abschnitt 3.6.
3. Falten der Fußplatten nach oben, um zu verhindern, dass Sie sich darauf stellen, oder drehen Sie die Beinstützen zur Seite den Durchgang für die Übertragung, um einen freien Durchgang für den Transfer zu schaffen.
4. Entfernen Sie bei Bedarf die Fußstütze auf einer Seite (siehe Abschnitt 3.4).
5. Bewegen Sie sich aus eigener Kraft mit den Armen oder mit Hilfe einer Begleitperson oder einer Hebevorrichtung in den Rollstuhl hinein oder aus ihm heraus.

Sitzen im Rollstuhl:

1. Setzen Sie sich so hin, dass Ihr unterer Lendenbereich an der Rückenlehne anliegt
2. Montieren Sie die Fußstütze, falls sie entfernt wurde.
3. Drehen Sie die Fußstützen wieder nach vorne oder kippen Sie die Fußplatten wieder nach unten und stellen Sie Ihre Füße auf die Fußplatten.

3.8 Fahren

ACHTUNG

Gefahr von Personen- und/oder Sachschäden

- Achten Sie darauf, dass Sie sich Ihre Hände auf den Greifreifen nicht einklemmen, wenn Sie durch enge Durchgänge fahren.
 - Fahren Sie nicht auf Steigungen, Hindernisse, Stufen oder Bordsteinkanten, die größer sind als in Abschnitt 6 angegeben.
1. Lösen Sie die Feststellbremsen (siehe Abschnitt 3.6).
 2. Die Begleitperson greift die Schiebegriffe.
 3. Die Begleitperson schiebt den Rollstuhl an die gewünschte Stelle.

3.8.1 Fahren auf geneigten Flächen, Rampen

ACHTUNG

Verletzungsgefahr

- Kontrollieren Sie Ihre Geschwindigkeit - verlangsamen Sie Ihr Tempo bei Neigungen.
 - Achten Sie auf die Fähigkeiten Ihrer Begleitperson - wenn Ihre Begleitperson den Rollstuhl nicht kontrollieren kann, ziehen Sie die Bremsen.
1. Falls vorhanden, tragen Sie Ihren Sicherheitsgurt.
 2. Die Begleitperson schiebt Sie die Schräge herauf/herunter.
 3. Lehnen Sie sich beim Hinauffahren nach vorne, um Ihren Schwerpunkt nach vorne zu verlagern. Lehnen Sie sich beim Herunterfahren nach hinten.



3.8.2 Bewältigen von Hindernissen

ACHTUNG

Gefahr von Personen- und/oder Sachschäden

- Entfernen Sie ggf. die Fußstützen, um sicherzustellen, dass sie aufgrund der Neigung des Rollstuhls nicht den Boden berühren.
- Nehmen Sie Bordsteinkanten oder Hindernisse immer mit der Hilfe einer Begleitperson.

Bordsteinkanten vorwärts herunterfahren:

1. Kippen Sie den Rollstuhl leicht nach hinten, um den Schwerpunkt auf die Hinterräder zu verlagern.
2. Schieben Sie das Hinterrad von der Bordsteinkante herunter.



Bordsteinkanten rückwärts herunterfahren:

1. Nähern Sie sich der Bordsteinkante rückwärts.
2. Lehnen Sie sich nach vorne, um Ihren Schwerpunkt zu verlagern.
3. Bewegen und heben Sie das Hinterrad über die Kante des Bordsteins. Stellen Sie das Hinterrad auf den Boden.
4. Ziehen Sie vorsichtig die Vorderräder die Bordsteinkante herunter.



Bewältigen von Stufen oder Hindernissen

1. Kippen Sie den Rollstuhl nach hinten, indem Sie mit dem Fuß auf die Ankipphilfe drücken.
2. Bewegen Sie die Vorderräder die Bordsteinkante herauf. Stellen Sie die Vorderräder auf den Boden.
3. Schieben Sie die Hinterräder die Bordsteinkante herauf.



3.8.3 Benutzen von Treppen



ACHTUNG

Gefahr von Personen- und/oder Sachschäden

- Der manuelle Rollstuhl kann nicht auf Rolltreppen verwendet werden.
 - Treppen sollten immer mit Hilfe von (mindestens) zwei Begleitpersonen bewältigt werden.
1. Entfernen Sie die Fußstützen, siehe Abschnitt 3.4.
 2. Eine Begleitperson kippt den Rollstuhl leicht nach hinten.
 3. Die zweite Begleitperson greift den Rollstuhl auf beiden Seiten vorne am Rahmen.
 4. Bewegen Sie die Hinterräder vorsichtig von Stufe zu Stufe. Vermeiden Sie ruckartige Bewegungen.
 5. Montieren Sie nach dem Bewältigen der Treppe wieder die Fußstützen, siehe Abschnitt 3.4.

4 MONTAGE UND EINSTELLUNGEN

Dieses Kapitel ist in erster Linie für den Fachhändler gedacht.

**ACHTUNG**

Verwenden Sie ausschließlich die in diesem Handbuch beschriebenen Teile.

4.1 Lieferumfang

Zum Lieferumfang des Bobby Evo Rollstuhls gehören:

1. Rahmen mit Armlehnen, Vorder- und Hinterrädern;
2. Ein Paar Fußstützen;
3. Handgriffe + Bremshebel;
4. Sitzkissen und Rückenlehne;
5. Werkzeuge: Inbusschlüssel Nr. 1, 4, 5 und Gabelschlüssel;
6. Gebrauchsanweisungen;
7. Zubehör (optional).

Überprüfen Sie vor dem Gebrauch, ob alle Teile vorhanden und unbeschädigt sind.

4.2 Werkzeuge

Um den Rollstuhl einzustellen, werden folgende Werkzeuge benötigt:

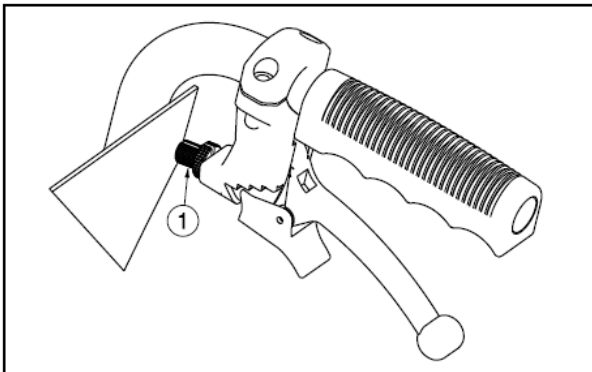
- Steckschlüssel Nr. 10
- 4 mm Inbusschlüssel

4.3 Einstellen der Bremsen

**ACHTUNG**

Gefahr von Personen- und/oder Sachschäden

- Die Bremsen dürfen nur von Ihrem Fachhändler eingestellt werden.



1. Drehen Sie ①, um die Spannung des Bremsseils einzustellen.
2. Überprüfen Sie die Funktion der Bremsen.
3. Falls erforderlich, wiederholen Sie die Schritt ①, bis die Bremsen korrekt eingestellt sind.

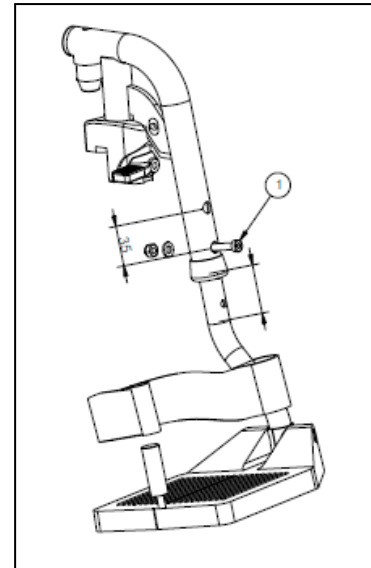
4.4 Länge der Fußstützen

⚠ ACHTUNG Beschädigungsgefahr

- Vermeiden Sie jeglichen Kontakt zwischen der Fußstütze und dem Boden. Der Mindestabstand zum Boden muss 6 cm betragen.

Es sind zwei Längenpositionen möglich (in einem Intervall von 35 mm):

1. Lösen Sie die Schraube ① an der Vorderseite der Fußstütze.
2. Stellen Sie die Fußstütze auf die gewünschte Höhe ein.
3. Ziehen Sie die Schraube ① fest.



5 WARTUNG

5.1 Wartungspunkte

**ACHTUNG**

Gefahr von Personen- und/oder Sachschäden

- Reparaturen und Erneuerungen dürfen nur von geschultem Personal und mit Original-Ersatzteilen von Vermeiren durchgeführt werden.

Vor jeder Benutzung

Kontrollieren Sie folgende Punkte:

- Alle Komponenten: vorhanden und nicht beschädigt/verschlissen.
- Alle Komponenten: sauber; siehe Kapitel 5.2.2.
- Fußstützen: korrekt gesichert.
- Zustand der Räder/Reifen; siehe Abschnitt 5.2.1;
- Zustand der Rahmenteile: keine Deformation, Instabilität, Schwachstelle oder lose Verbindungen
- Sitz, Rückenlehne, Armpolster: kein übermäßiger Verschleiß (wie Eindellungen, Beschädigungen oder Risse)
- Bremsen: unbeschädigt und voll funktionsfähig

Wenden Sie sich wegen etwaiger Reparaturen oder Ersatzteilen an Ihren Fachhändler.

Jährlich oder häufiger

Lassen Sie Ihren Rollstuhl mindestens einmal pro Jahr oder häufiger von Ihrem Fachhändler inspizieren und warten. Die minimale Wartungshäufigkeit ist von der Benutzung abhängig und sollte daher zusammen mit Ihrem Fachhändler abgesprochen werden.

Bei Lagerung

Achten Sie darauf, dass Ihr Rollstuhl trocken untergebracht ist, um zu verhindern, dass sich Schimmel bildet oder die Polsterung beschädigt wird.

5.2 Wartungshinweise

5.2.1 Räder und Reifen

Achten Sie darauf, dass keine Drähte, Haare, Sand oder Teppichfasern an den Rädern anhaften.

Überprüfen Sie regelmäßig das Reifenprofil. Wenn die Profiltiefe weniger als 1 mm beträgt, muss der Reifen ausgetauscht werden. Wenden Sie sich diesbezüglich bitte an Ihren Fachhändler.

Pumpen Sie den Reifen mit dem korrekten Druck auf (siehe Angabe auf dem Reifen).

5.2.2 Reinigung

**ACHTUNG**

Beschädigungsgefahr

- Benutzen Sie keinesfalls einen Wasserschlauch oder Hochdruckreiniger, um den Rollstuhl zu reinigen.

Wischen Sie alle festen Teile des Rollstuhls mit einem feuchten (nicht durchnässten) Tuch ab.

Benutzen Sie ggf. eine milde Seife, die für Lacke und Kunststoffe geeignet ist.

Die Polsterung kann mit lauwarmem Wasser und einer milden Seife gereinigt werden. Verwenden Sie keine scheuernden Reinigungsmittel oder -schwämme oder eine harte Bürste zum Reinigen.

5.2.3 Desinfektion

**ACHTUNG**

Gefahr von Personen- und/oder Sachschäden

- Eine Desinfektion darf nur von dafür geschultem Personal durchgeführt werden. Wenden Sie sich hierfür an Ihren Fachhändler.

5.3 Störungsbeseitigung

Versuchen Sie KEINESFALLS, den Rollstuhl selbst zu reparieren. Auch bei ordnungsgemäßer Benutzung Ihres Rollstuhls kann ein technisches Problem auftreten. Die nachstehend genannten Symptome können auf ein ernsthaftes Problem hindeuten. Sie sollten sich daher stets an Ihren Fachhändler wenden, wenn eine der folgenden Situationen eintritt:

- Ungewöhnliche Geräusche
- Ungleichmäßige Abnutzung an einem der Reifen
- Ruckartige Bewegungen
- Rollstuhl zieht zu einer Seite
- Beschädigte oder gebrochene Radeinheiten

5.4 Voraussichtliche Nutzungsdauer

Die durchschnittliche Nutzungsdauer Ihres Rollstuhls beträgt 5 Jahre. Je nach Nutzungshäufigkeit, Betriebsbedingungen und Wartung kann die Nutzungsdauer Ihres Rollstuhls länger oder kürzer sein.


5.5 Nutzungsende

Am Ende seiner Nutzungsdauer muss Ihr Rollstuhl gemäß den geltenden Umweltvorschriften entsorgt werden. Dazu wird er im besten Fall zerlegt, um den Transport wiederverwertbarer Teile zu erleichtern.

6 TECHNISCHE DATEN

Die nachstehenden technischen Daten gelten für diesen Rollstuhl nur bei Standardeinstellungen und optimalen Umgebungsbedingungen. Berücksichtigen Sie diese Daten bei der Benutzung. Die Werte gelten nicht mehr, falls Ihr Rollstuhl modifiziert wurde, beschädigt ist oder starke Verschleißerscheinungen aufweist.

Tabelle 1: Technische Daten

Marke	Vermeiren	
Typ	Manueller Rollstuhl	
Modell	Bobby Evo	

Beschreibung	Abmessungen
Max. Benutzergewicht	115 kg
Effektive Sitzbreite	42 cm - 48 cm
Gesamtbreite (abhängig von der Sitzbreite)	49 cm - 55 cm
Volle Länge (inklusive Fußstützen)	101 cm
Länge zusammengefaltet (inklusive Fußstützen)	86 cm
Länge zusammengefaltet (ohne Fußstützen)	68 cm
Breite zusammengefaltet (ohne Fußstützen)	26 cm
Höhe zusammengefaltet	75 cm
Gesamthöhe	90 cm
Gesamtgewicht	9,6 kg - 10,0 kg
Gesamtgewicht der schwersten Komponente	8,0 kg - 8,6 kg
Schwerstes abnehmbares Teil	Fußstütze: 1,6 kg
Statische Stabilität bergab	10°
Statische Stabilität bergauf	10°
Statische Stabilität seitlich	10°
Überwinden von Hindernissen	6 cm
Winkel der Sitzfläche	5°
Effektive Sitztiefe	42 cm
Höhe der Sitzoberfläche an der Vorderkante	49 cm
Rückenlehnenwinkel	5°
Rückenlehnenhöhe	44 cm
Abstand zwischen Fußplatte und Sitz	39 cm - 42 cm
Winkel zwischen Sitz und Fußstütze	114°
Abstand zwischen Armpolster und Sitz	20 cm
Länge der Armlehne zur Unterfahrbarkeit	30 cm
Horizontale Lage der Achse	2,1 cm
Kleinster Wenderadius	150 cm
Durchmesser der Hinterräder	12,5"
Durchmesser der Vorderräder	15,5 cm
Temperaturbereich für Benutzung und Lagerung	+5 °C bis +41 °C
Luftfeuchtigkeitsbereich für Benutzung und Lagerung	30 % bis 70 %
<i>Technische Änderungen jederzeit vorbehalten.</i>	
<i>Messtoleranz ±15 mm / 1,5 kg / 1,5°</i>	



SOMMARIO

IT

SOMMARIO	1
PREMESSA	2
1 IL PRODOTTO	3
1.1 ACCESSORI	3
2 PRIMA DELL'USO	4
2.1 USO PREVISTO	4
2.2 SPIEGAZIONE DEI SIMBOLI.....	4
2.3 ISTRUZIONI GENERALI DI SICUREZZA.....	5
2.4 MAGAZZINAGGIO	5
3 USO DELLA CARROZZINA	6
3.1 SPOSTAMENTO DELLA CARROZZINA	6
3.2 TRASPORTO	6
3.3 APERTURA/CHIUSURA DELLA CARROZZINA MANUALE.....	7
3.4 MONTAGGIO/SMONTAGGIO DEI POGGIAPIEDI.....	7
3.5 APERTURA / CHIUSURA DELLO SCHIENALE	8
3.6 UTILIZZO DEI FRENI	8
3.7 TRASFERIMENTO ALLA/DALLA CARROZZINA	9
3.8 SPOSTAMENTI.....	9
4 INSTALLAZIONE E REGOLAZIONI	12
4.1 OGGETTO DELLA FORNITURA	12
4.2 ATTREZZI.....	12
4.3 REGOLAZIONE DEI FRENI.....	12
4.4 LUNGHEZZA DEL POGGIAPIEDI.....	13
5 MANUTENZIONE	14
5.1 PUNTI DI MANUTENZIONE	14
5.2 ISTRUZIONI PER LA MANUTENZIONE	14
5.3 SOLUZIONE DEI PROBLEMI DI FUNZIONAMENTO.....	15
5.4 DURATA PREVISTA.....	15
5.5 FINE VITA	15
6 SPECIFICHE TECNICHE	16

PREMESSA

Congratulazioni! Ora possiede una carrozzina Vermeiren!

Questa carrozzina è realizzata da personale qualificato e competente. Essa è progettata e prodotta secondo gli elevati standard di qualità garantiti da Vermeiren.

Grazie per la fiducia accordata ai prodotti Vermeiren. Questo manuale viene fornito come supporto per l'uso della carrozzina e delle sue opzioni operative. Leggerlo attentamente, in quanto aiuta a familiarizzarsi con il funzionamento, le prestazioni e le limitazioni della carrozzina.

Per eventuali ulteriori domande successive alla lettura di questo manuale, rivolgersi al proprio rivenditore specializzato, che sarà lieto di fornire un supporto.

Nota importante

Per garantire la propria sicurezza e prolungare la durata del prodotto, trattarlo con cura e farlo controllare e/o sottoporlo a manutenzione con regolarità.

La garanzia del prodotto presuppone un uso e una manutenzione normali del medesimo, come descritti in questo manuale. I danni al prodotto dovuti a uso improprio o manutenzione carente causano la decadenza della garanzia.

Questo manuale rispecchia gli sviluppi più recenti del prodotto. Vermeiren si riserva il diritto di introdurre modifiche di questo tipo di prodotto senza alcun obbligo di adattare o sostituire i prodotti analoghi consegnati in precedenza.

Le immagini del prodotto vengono utilizzate per chiarire le istruzioni contenute nel manuale. I dettagli del prodotto raffigurato possono essere diversi da quelli del prodotto in uso.

Informazioni disponibili

Sul sito Web di Vermeiren, all'indirizzo <http://www.vermeiren.com/>, è sempre disponibile la versione più recente delle informazioni indicate di seguito. Visitare con regolarità tale sito per verificare l'esistenza di eventuali aggiornamenti.

Le persone ipovedenti possono scaricare la versione elettronica di questo manuale e farlo leggere da un software applicativo di sintesi vocale.



Istruzioni di installazione

Per i rivenditori specializzati



Manuale di assistenza per le carrozzine

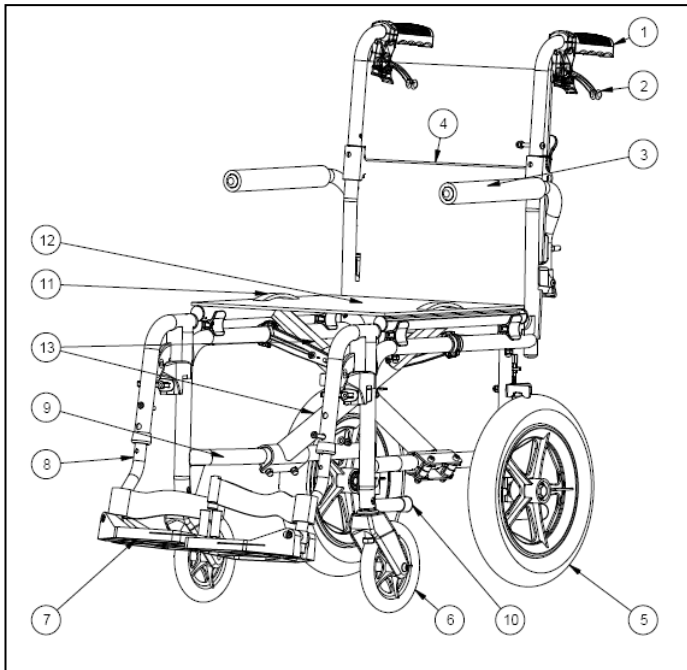
Per i rivenditori specializzati



Dichiarazione di conformità CE

1 IL PRODOTTO

IT



1. Impugnature
2. Freno manuale
3. Imbottitura dei braccioli
4. Schienale
5. Ruota posteriore
6. Ruota direttrice (anteriore)
7. Pedana
8. Poggiapiedi
9. Targhetta di identificazione
10. Tappo di inclinazione
11. Maniglia del cuscino del sedile
12. Cuscino del sedile
13. Fermi a croce

1.1 Accessori

Per il modello Bobby Evo sono disponibili i seguenti accessori:

- Cintura di sicurezza (B20)

2 PRIMA DELL'USO

2.1 Uso previsto

- La carrozzina Bobby Evo è destinata al trasporto di persone con difficoltà o disabilità a livello di deambulazione, ad esempio anziani e disabili. Il modello Bobby Evo è studiato per coprire percorsi brevi e assicurare la massima praticità di trasferimento.
- La carrozzina manuale è progettata per il trasporto di una (1) persona di peso non superiore a 115 kg. Essa non è viceversa progettata per il trasporto di merci od oggetti, o per qualunque uso diverso da quello descritto in precedenza.
- La carrozzina manuale è adatta per l'uso al coperto e all'aperto.
- La persona seduta sulla carrozzina viene spostata da un assistente.
- Questa carrozzina non è destinata all'uso come sedile in un veicolo a motore.
- Utilizzare esclusivamente accessori e ricambi approvati da Vermeiren.
- Nessuna controindicazione.

2.2 Spiegazione dei simboli

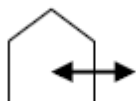
Le carrozzine manuali devono soddisfare i seguenti requisiti:

GB/T 18029.8-2008

GB/T 18029-2000



Peso massimo dell'utente, in kg



Uso al coperto e all'aperto



Pendenza massima di sicurezza, in ° (gradi)



Conformità CE



Indicazione del modello



Non destinata all'uso come sedile in un veicolo a motore

2.3 Istruzioni generali di sicurezza

IT**⚠ ATTENZIONE**

Rischio di lesioni e/o danni

Durante l'uso, tenere presenti le seguenti avvertenze generali:

- Non dimenticare che alcune parti della carrozzina possono diventare molto calde o fredde a causa della temperatura ambiente, della radiazione solare e di dispositivi di riscaldamento. Prestare attenzione quando si tocca la console. In condizioni climatiche fredde, indossare indumenti protettivi.
- Non modificare personalmente in alcun modo la carrozzina, e prendere nota delle istruzioni per la cura e la manutenzione. Il produttore declina ogni responsabilità per danni dovuti a errori di manutenzione/cura.
- Tenere sempre conto del raggio di rotazione del poggiatesta, per evitare di causare lesioni alle persone o danni materiali.
- Quando occorre trasportare la carrozzina, non sollevarla afferrandone i componenti mobili (ruote, braccioli, poggiatesta e così via). Afferrare esclusivamente il telaio della carrozzina.
- Quando si utilizza la carrozzina al buio, indossare indumenti chiari o riflettenti, e accertarsi che i catarifrangenti montati sui fianchi e sul lato posteriore della carrozzina manuale siano chiaramente visibili.
- Non superare mai il carico massimo specificato nella sezione 6.

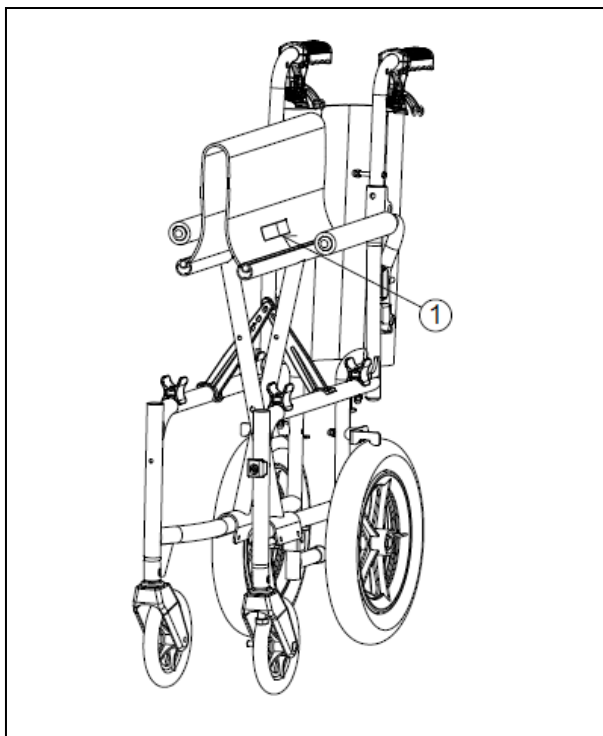
2.4 Magazzinaggio

- i** Avere cura di immagazzinare la carrozzina in un luogo asciutto, per evitare la formazione di muffa o danni alla selleria; vedere inoltre le informazioni tecniche di dettaglio riportate nella sezione 6.

IT 3 USO DELLA CARROZZINA

Questo capitolo descrive l'uso quotidiano della carrozzina Bobby Evo a beneficio di utenti e rivenditori. La carrozzina viene consegnata all'utente completamente montata. Vengono quindi illustrate anche le modalità di assemblaggio della carrozzina manuale, a beneficio dei rivenditori.

3.1 Spostamento della carrozzina



Spostare la carrozzina nei punti desiderati utilizzando le sue ruote.

Se ciò non è possibile, e non si desidera ripiegare la carrozzina, afferrare saldamente il telaio con entrambe le mani e sollevarla da terra. Non afferrare la carrozzina dai poggiapiedi, dai braccioli o dalle ruote.

Per trasportare la carrozzina manuale, è possibile utilizzare anche le maniglie ① del cuscino. Rimuovere anzitutto i poggiapiedi e ripiegare la carrozzina manuale. A questo punto è possibile afferrare le maniglie presenti su entrambi i lati della carrozzina e trasportarla dove si desidera.

3.2 Trasporto



Rischio di lesioni

- NON utilizzare la carrozzina come sedile in un veicolo; vedere il simbolo successivo.
- Non utilizzare la stessa cintura di sicurezza per passeggero e carrozzina.



1. Come utente, trasferirsi su un sedile dell'auto; vedere la sezione 3.7.
2. Rimuovere i poggiapiedi e gli altri accessori.
3. Ripiegare la carrozzina fino alle dimensioni più compatte, attenendosi alle istruzioni fornite nella sezione 3.3.
4. Riporre la carrozzina, i poggiapiedi e gli accessori nel bagagliaio o dietro il sedile del passeggero. Se il bagagliaio e l'abitacolo NON sono separati o chiusi, assicurare saldamente il telaio della carrozzina al veicolo. A tale scopo è possibile utilizzare una cintura di sicurezza disponibile del veicolo.

3.3 Apertura/chiusura della carrozzina manuale

ATTENZIONE Rischio di lesioni

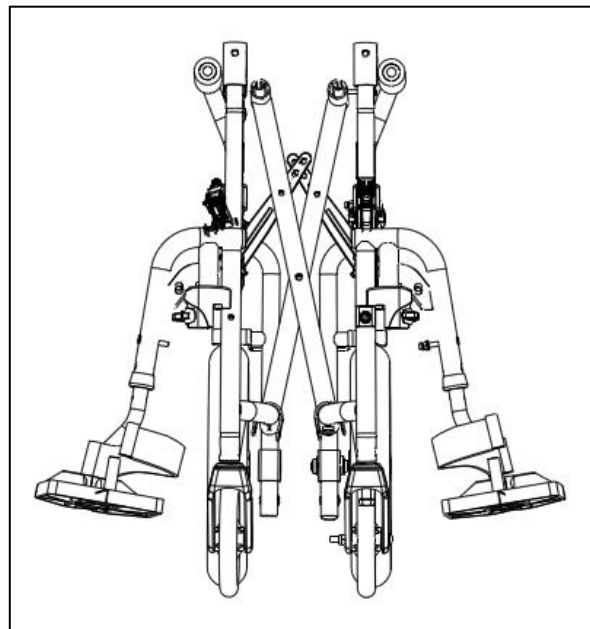
- Tenersi a distanza dai componenti mobili della carrozzina, per evitare che le dita rimangano intrappolate.

Apertura della carrozzina:

1. Disporsi dietro la carrozzina manuale.
2. Aprire lo schienale (vedere la sezione 3.5).
3. Utilizzare le maniglie di spinta per aprire il più possibile la carrozzina manuale da entrambi i lati.
4. Disporsi davanti alla carrozzina manuale.
5. Spingere verso il basso i due tubi di appoggio situati accanto al sedile, fino a quando non si bloccano nella posizione corretta.

Chiusura della carrozzina:

1. Ripiegare la pedana o rimuovere i poggiatesta (vedere la sezione 3.4);
2. Ripiegare lo schienale (vedere la sezione 3.5);
3. Afferrare al centro il lato anteriore e quello posteriore del cuscino e sollevarlo.



3.4 Montaggio/smontaggio dei poggiatesta

ATTENZIONE Rischio di lesioni

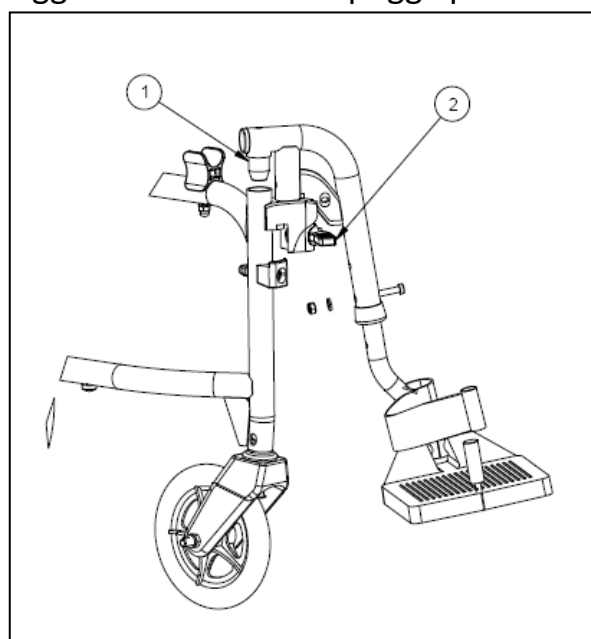
- Prima di utilizzare la carrozzina, accertarsi che i poggiatesta siano fissati saldamente.
- Verificare che non vi siano oggetti o persone nel raggio di rotazione dei poggiatesta.

Montaggio dei poggiatesta:

1. Tenere il poggiatesta lateralmente e inserire il tappo ① del tubo nel telaio della carrozzina.
2. Ruotare il poggiatesta verso l'interno, fino a quando si arresta con un clic nella posizione corretta.
3. Abbassare la pedana.
4. Ripetere l'operazione per il secondo poggiatesta.

Smontaggio dei poggiatesta:

1. Sollevare la maniglia ②.
2. Ruotare il poggiatesta verso l'esterno.
3. Rimuovere il poggiatesta.
4. Ripetere l'operazione per il secondo poggiatesta.

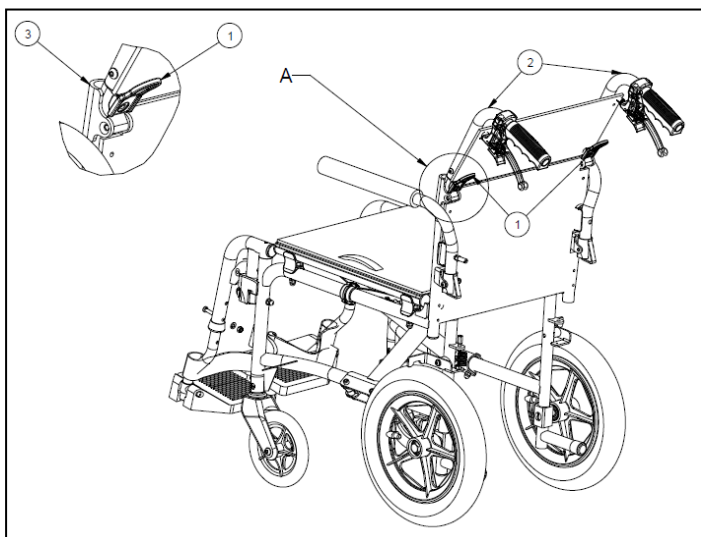


IT 3.5 Apertura / chiusura dello schienale

⚠ ATTENZIONE

Rischio di lesioni

- Prima dell'uso, verificare che lo schienale sia bloccato saldamente nella posizione corretta.



Per aprire lo schienale:

1. Tirare i tubi dello schienale ② verso il basso sino a quando lo schienale è agganciato saldamente.
2. Assicurarsi che lo schienale sia ben fermo al suo posto.

Per chiudere lo schienale procedere come segue:

1. Premere sulle leve ①, sino a che il perno ③ esca dal foro.
2. Spingere sulla parte alta dei tubi dello schienale ② verso l'alto sino a quando lo schienale non sarà completamente chiuso.

3.6 Utilizzo dei freni

⚠ ATTENZIONE

Rischio di lesioni

- Non utilizzare i freni per rallentare la carrozzina da trasferimento durante la marcia.
- Sull'adeguato funzionamento dei freni incidono l'usura e la mancanza di pulizia delle ruote, ad esempio presenza di acqua, olio o fango. Verificare le condizioni delle ruote prima di ogni utilizzo.
- I freni sono regolabili e possono usurarsi. Verificare il funzionamento dei freni prima di ogni utilizzo.
- Rischio di movimenti indesiderati : Accertarsi che la carrozzina da trasferimento sia su una superficie piana prima di rilasciare i freni.

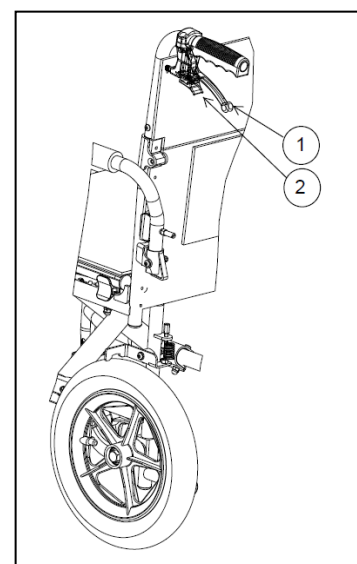
I freni possono essere comandati solo dall'accompagnatore.

Innesto dei freni di stazionamento:

1. Tirare le leve del freno ① verso l'alto.
2. Spingere la leva sottostante ② per bloccare i freni.

Disinnesto dei freni di stazionamento:

1. Rilasciare la leva sottostante ②.
2. Rilasciare le leve del freno ①.



3.7 Trasferimento alla/dalla carrozzina



Rischio di lesioni e/o danni

- Se non si è in grado di effettuare il trasferimento in condizioni di sicurezza, richiedere l'assistenza di un'altra persona.
- Non rimanere in piedi sulle pedane durante il trasferimento alla o dalla carrozzina.

Trasferimento:

1. Quando si è seduti su una poltrona, un divano, un sedile o un letto, avvicinare il più possibile a sé la carrozzina manuale.
2. Applicare entrambi i freni di parcheggio per impedire qualunque movimento, vedere la sezione 3.6.
3. Ripiegare verso l'alto le pedane per evitare di salirvi, oppure ruotare di lato gli appoggi per le gambe in modo da liberare il passaggio per il trasferimento.
4. Se necessario, rimuovere un poggipiedi (vedere la sezione 3.4).
5. Trasferirsi sulla/dalla carrozzina utilizzando la forza delle proprie braccia o con l'ausilio di un assistente o di un dispositivo di sollevamento.

Posizione di seduta sulla carrozzina:

1. Sedersi sul sedile con la parte inferiore della schiena contro lo schienale.
2. Rimontare il poggipiedi eventualmente rimosso.
3. Ruotare nuovamente in avanti o verso il basso le pedane e appoggiarvi i piedi.

3.8 Spostamenti



Rischio di lesioni e/o danni

- Prestare attenzione a evitare che le mani che afferrano i corrimani restino schiacciate quando si attraversano passaggi stretti.
 - Non effettuare spostamenti su superfici inclinate, ostacoli, gradini o cordoli di dimensioni superiori a quelle specificate nella sezione 6.
1. Rilasciare i freni di parcheggio (vedere la sezione 3.6).
 2. L'assistente afferra le maniglie di spinta.
 3. L'assistente spinge la carrozzina fino al punto desiderato.

3.8.1 Spostamenti su superfici inclinate e rampe



Rischio di lesioni

- Controllare la velocità; rallentare sulle superfici inclinate.
- Tenere conto delle capacità del proprio assistente, azionando i freni se non è in grado di controllare la carrozzina.

IT

1. Se disponibile, indossare la cintura di sicurezza.
2. L'assistente spinge l'utente in salita/discesa sulla superficie inclinata.
3. Quando si percorrono in salita le superfici inclinate, inclinare il busto in avanti per spostare il baricentro verso il lato anteriore. Quando si percorrono in discesa le superfici inclinate, inclinare il busto all'indietro.



3.8.2 Affrontare gli ostacoli

ATTENZIONE

Rischio di lesioni e/o danni

- Se necessario, rimuovere i poggiatesta per avere la certezza che non tocchino il suolo a causa dell'inclinazione della carrozzina.
- Affrontare sempre i cordoli o gli ostacoli con l'aiuto di un assistente.

Discesa dai cordoli in avanti:

1. Inclinare la carrozzina leggermente all'indietro per spostare il baricentro verso le ruote posteriori.
2. Spingere le ruote posteriori facendole scendere dal cordolo.



Discesa dai cordoli all'indietro:

1. Avvicinarsi al cordolo procedendo all'indietro.
2. Inclinare il busto in avanti per spostare il baricentro.
3. Spostare e sollevare le ruote posteriori oltre il fianco del cordolo. Appoggiare le ruote posteriori al suolo.
4. Tirare delicatamente le ruote anteriori facendole scendere dal cordolo.



Salita su gradini od ostacoli

1. Inclinare la carrozzina all'indietro spingendo verso il basso il tappo di inclinazione con il piede.
2. Fare salire le ruote anteriori sul cordolo. Appoggiare le ruote anteriori al suolo.
3. Spingere le ruote posteriori facendole salire sul cordolo.



3.8.3 Uso delle scale

IT**⚠ ATTENZIONE**

Rischio di lesioni e/o danni

- Non è consentito utilizzare la carrozzina manuale sulle scale mobili.
 - Le scale devono sempre essere affrontate con l'aiuto di (almeno) due assistenti.
1. Smontare i poggiapiedi; vedere la sezione 3.4.
 2. Un assistente deve inclinare leggermente all'indietro la carrozzina.
 3. Il secondo assistente deve afferrare la carrozzina dal lato anteriore del telaio, su entrambi i lati della stessa.
 4. Spostare delicatamente le ruote posteriori da uno scalino al successivo. Evitare movimenti bruschi.
 5. Una volta superate le scale, rimontare i poggiapiedi al loro posto; vedere la sezione 3.4.

IT 4 INSTALLAZIONE E REGOLAZIONI

Questo capitolo è destinato principalmente ai rivenditori.



ATTENZIONE

Utilizzare esclusivamente i componenti e gli attrezzi descritti in questo manuale.

4.1 Oggetto della fornitura

Il modello Bobby Evo viene fornito completo di:

1. Telaio con braccioli e ruote anteriori e posteriori;
2. Una coppia di poggipiedi;
3. Impugnature e leve dei freni;
4. Cuscino del sedile e schienale;
5. Attrezzi: Chiave fissa e chiavi per brugole n. 1, 4 e 5;
6. Istruzioni;
7. Accessori (opzionali).

Prima dell'uso, verificare che siano presenti tutti gli articoli e che nessuno di essi sia danneggiato.

4.2 Attrezzi

Per regolare la carrozzina sono necessari i seguenti attrezzi:

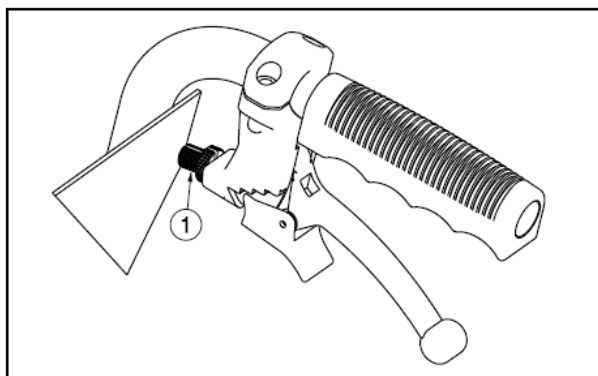
- Chiave a tubo n. 10
- Chiave per brugole n. 4

4.3 Regolazione dei freni



Rischio di lesioni e/o danni

- La regolazione dei freni deve essere eseguita esclusivamente da un rivenditore specializzato.



1. Ruotare l'elemento ① per regolare la tensione del cavo del freno.
2. Verificare l'effetto dei freni.
3. Se necessario, ripetere l'operazione descritta al punto ① fino a quando i freni non sono regolati correttamente.

4.4 Lunghezza del poggiapiedi

IT

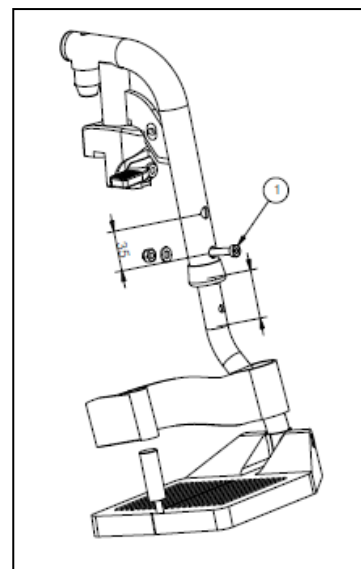
ATTENZIONE

Rischio di danni

- Evitare qualunque contatto fra i poggiapiedi e il suolo, mantenendo fra loro una distanza pari o superiore a 6 cm.

Sono disponibili due valori di lunghezza (con un intervallo di 35 mm):

1. Allentare la vite ① presente sul lato anteriore del poggiapiedi.
2. Regolare l'altezza del poggiapiedi in modo che sia confortevole.
3. Serrare la vite ①.



5 MANUTENZIONE

5.1 Punti di manutenzione



ATTENZIONE Rischio di lesioni e/o danni

- Riparazioni e sostituzioni devono essere eseguite esclusivamente da personale con un'opportuna formazione e utilizzando unicamente ricambi originali Vermeiren.

Prima di ciascun utilizzo

Verificare i seguenti punti:

- Tutti i componenti: Presenti e privi di danni o usura.
- Tutti i componenti: Puliti, vedere la sezione 5.2.2.
- Poggiapiedi: Ben fissati.
- Condizioni delle ruote / degli pneumatici: vedere la sezione 5.2.1;
- Condizioni dei componenti del telaio: Assenza di deformazioni, instabilità, punti deboli o raccordi allentati
- Sedile, schienale e imbottiture dei braccioli: Assenza di usura eccessiva (punti ammaccati, danni o lacerazioni).
- Freni: integri e perfettamente funzionanti

Rivolgersi al proprio rivenditore specializzato per le riparazioni o i ricambi eventualmente necessari.

Annualmente o con maggiore frequenza

Almeno una volta all'anno, o con maggiore frequenza, richiedere al proprio rivenditore specializzato un intervento di ispezione e manutenzione della carrozzina. La frequenza minima di manutenzione dipende dall'uso, e deve pertanto essere concordata con il proprio concessionario autorizzato.

In caso di rimessaggio

Avere cura di immagazzinare la carrozzina in un luogo asciutto, per evitare la formazione di muffa o danni alla selleria.

5.2 Istruzioni per la manutenzione

5.2.1 Ruote e pneumatici

Tenere pulite le ruote da fili, capelli, sabbia e fibre.

Verificare il profilo degli pneumatici. Se la profondità del battistrada è inferiore a 1 mm, occorre sostituire gli pneumatici. A tale scopo, rivolgersi al proprio rivenditore specializzato.

Gonfiare ciascuno pneumatico alla pressione corretta (facendo riferimento all'indicazione riportata sul medesimo).

5.2.2 Pulizia

**ATTENZIONE**

Rischio di danni

- Non pulire la carrozzina con manichette o pulitrici ad alta pressione.

Strofinare tutti i componenti rigidi della carrozzina con un panno umido (non zuppo). Se necessario, utilizzare un detergente delicato, adatto per smalti e materiali sintetici.

È possibile pulire la selleria con acqua tiepida e un detergente delicato. Non utilizzare per la pulizia detergenti o spugne abrasivi, né spazzole dure.

5.2.3 Disinfezione

**ATTENZIONE**

Rischio di lesioni e/o danni

- La disinfezione deve essere eseguita esclusivamente da personale con un'opportuna formazione. Consultare il proprio rivenditore specializzato.

5.3 Soluzione dei problemi di funzionamento

NON tentare MAI di riparare personalmente la carrozzina. Anche se si utilizza la carrozzina nel modo corretto, è comunque possibile che si verifichi un problema tecnico. I sintomi indicati di seguito possono segnalare un problema grave. Rivolgersi pertanto sempre al proprio rivenditore specializzato se si rileva una qualunque delle seguenti anomalie:

- Rumori strani;
- Usura irregolare del battistrada di uno pneumatico;
- Movimenti a scatti;
- Tendenza della carrozzina a deviare lateralmente;
- Gruppi ruota danneggiati o spezzati;

5.4 Durata prevista

La carrozzina ha una durata media prevista di 5 anni. Tale valore aumenta o diminuisce a seconda della frequenza di utilizzo, delle condizioni di guida e della manutenzione.


5.5 Fine vita

A fine vita, occorre smaltire la carrozzina conformemente alle normative ambientali locali. Il modo migliore per farlo consiste nello smontare la carrozzina per agevolare il trasporto dei componenti riciclabili.

IT 6 SPECIFICHE TECNICHE

I dettagli tecnici riportati di seguito sono validi soltanto per la carrozzina oggetto del manuale, con le impostazioni standard e in condizioni ambiente ottimali. Durante l'uso, tenere conto di questi dati di dettaglio. I valori indicati non sono più validi se la carrozzina ha subito modifiche o danni, oppure presenta un livello elevato di usura.

Tabella 1: Specifiche tecniche

Marchio	Vermeiren	
Tipo	Carrozzina manuale	
Modello	Bobby Evo	

Descrizione	Dimensioni
Peso massimo dell'utente	115 kg
Larghezza effettiva del sedile	42 - 48 cm
Larghezza totale (larghezza del sedile di riferimento)	49 - 55 cm
Lunghezza complessiva (poggiapiedi incluso)	101 cm
Lunghezza in configurazione ripiegata (poggiapiedi incluso)	86 cm
Lunghezza in configurazione ripiegata (poggiapiedi escluso)	68 cm
Larghezza in configurazione ripiegata (senza poggiapiedi)	26 cm
Altezza in configurazione ripiegata	75 cm
Altezza totale	90 cm
Peso totale	9,6 - 10,0 kg
Peso totale del componente più pesante	8,0 - 8,6 kg
Componente rimovibile più pesante	Poggiapiedi: 1,6 kg
Stabilità statica in discesa	10°
Stabilità statica in salita	10°
Stabilità statica laterale	10°
Superamento di ostacoli	6 cm
Angolo del sedile	5°
Profondità effettiva del sedile	42 cm
Altezza del lato anteriore del sedile	49 cm
Angolo dello schienale	5°
Altezza dello schienale	44 cm
Distanza fra pedana e sedile	39 - 42 cm
Angolo fra poggiapiedi e sedile	114°
Distanza fra bracciolo e sedile	20 cm
Lato anteriore dei braccioli	30 cm
Asse orizzontale delle ruote	2,1 cm
Diametro di sterzata minimo	150 cm
Diametro delle ruote posteriori	31,8 cm
Diametro delle ruote anteriori	15,5 cm
Temperatura di magazzinaggio e di utilizzo	+5 - +41 °C
Umidità di magazzinaggio e di utilizzo	30% - 70%



*Vermeiren si riserva il diritto di introdurre modifiche tecniche.
Tolleranze di misurazione ± 15 mm / 1,5 kg / 1,5°.*

IT

ÍNDICE

ÍNDICE	1
INTRODUCCIÓN	2
1 SU PRODUCTO	3
1.1 ACCESORIOS	3
2 ANTES DE SU USO	4
2.1 USO PREVISTO.....	4
2.2 EXPLICACIÓN DE LOS SÍMBOLOS	4
2.3 INSTRUCCIONES GENERALES DE SEGURIDAD	5
2.4 ALMACENAMIENTO	5
3 UTILIZAR LA SILLA DE RUEDAS	6
3.1 APARTAR LA SILLA DE RUEDAS DEL CAMINO	6
3.2 TRANSPORTE	6
3.3 DESPLEGAR / PLEGAR LA SILLA DE RUEDAS MANUAL	7
3.4 MONTAR/DESMONTAR LOS REPOSAPIÉS	7
3.5 PLEGADO / DESPLIEGUE DEL RESPALDO.....	8
3.6 ACCIONAMIENTO DE LOS FRENOS	9
3.7 TRASLADARSE HACIA/ DESDE LA SILLA DE RUEDAS.....	9
3.8 CONDUCCIÓN	10
4 INSTALACIÓN Y AJUSTES	12
4.1 PAQUETE DE ENTREGA.....	12
4.2 HERRAMIENTAS	12
4.3 AJUSTE DE LOS FRENOS.....	12
4.4 LONGITUD DEL REPOSAPIÉS.....	13
5 MANTENIMIENTO	14
5.1 PUNTOS DE MANTENIMIENTO	14
5.2 INSTRUCCIONES DE MANTENIMIENTO	14
5.3 RESOLUCIÓN DE PROBLEMAS.....	15
5.4 VIDA ÚTIL PREVISTA	15
5.5 FIN DE VIDA ÚTIL.....	15
6 ESPECIFICACIONES TÉCNICAS	16

INTRODUCCIÓN

ES

¡Felicidades! Es usted el propietario de una silla de ruedas Vermeiren.

Esta silla de ruedas ha sido fabricada por personal experto y cualificado. Se ha diseñado y fabricado según los más altos estándares de calidad implementados por Vermeiren.

Le agradecemos su confianza en los productos Vermeiren. Le ofrecemos este manual para ayudarle en la utilización de su silla de ruedas y sus opciones de manejo. Léalo detenidamente. Le ayudará a familiarizarse con el manejo, las capacidades y limitaciones de su silla de ruedas.

Si todavía tiene alguna duda después de leer este manual, contacte con su distribuidor especializado, estará encantado de ayudarle.

Nota importante

Para garantizar su seguridad y prolongar la vida útil de su producto, cuídalo bien y asegúrese de realizar revisiones y mantenimientos de manera regular.

La garantía de este producto se basa en el uso y mantenimiento normales descritos en este manual. La garantía se invalida si el producto sufre cualquier daño causado por un uso indebido o falta de mantenimiento.

Este manual refleja los desarrollos más recientes del producto. Vermeiren se reserva el derecho a implementar cambios en este tipo de producto sin que ello suponga obligación alguna de adaptar o cambiar productos similares previamente entregados.

Las imágenes del producto están presentes para clarificar las instrucciones contenidas en este manual. Los detalles del producto mostrado pueden variar con su producto.

Información disponible

En nuestro sitio web <http://www.vermeiren.com/> siempre encontrará la versión más reciente de la siguiente información. Consulte este sitio web de manera regular para estar al tanto de posibles actualizaciones.

Las personas con discapacidad visual pueden descargarse la versión electrónica del manual y utilizar un software de síntesis de voz para poder oír su contenido.



Instrucciones de instalación
Para el distribuidor especializado



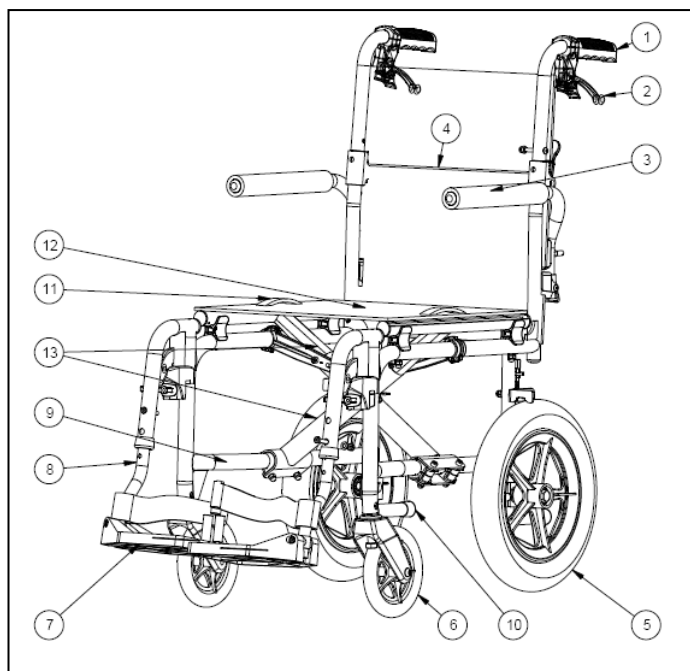
Manual de Servicio para sillas de ruedas
Para el distribuidor especializado



Declaración CE de conformidad

1 SU PRODUCTO

ES



1. Empuñaduras
2. Freno de mano
3. Almohadilla para el brazo
4. Respaldo
5. Rueda trasera
6. Rueda direccional (rueda delantera)
7. Paleta del reposapiés
8. Reposapiés
9. Placa de identificación
10. Tapón inclinador
11. Cinta del cojín del asiento
12. Cojín del asiento
13. Cruceta

1.1 Accesorios

Los siguientes accesorios están disponibles para Bobby Evo:

- Cinturón de seguridad (B20)

2 Antes de su uso

ES 2.1 Uso previsto

- La silla de ruedas Bobby Evo está pensada para transportar una persona con problemas de movilidad o sin capacidad de caminar, como las personas con discapacidad y de edad avanzada. Bobby Evo está diseñada para recorridos de corta distancia y traslado conveniente.
- La silla de ruedas manual está diseñada para transportar a una (1) persona con un peso máximo de 115 kg. No está diseñada para transportar mercancías u objetos, o para otros usos que no sean los descritos anteriormente.
- La silla de ruedas manual es apta para su uso en interiores y exteriores.
- El usuario es trasladado con ayuda de un auxiliar.
- La silla de ruedas no está destinada para ser usada como asiento en un vehículo.
- Utilizar sólo accesorios y piezas de repuesto aprobadas por Vermeiren.
- Ninguna contraindicación.

2.2 Explicación de los símbolos

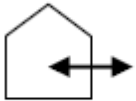
Las sillas de ruedas manuales deben cumplir con los siguientes requisitos:

GB/T 18029.8-2008

GB/T 18029-2000



Peso máximo del usuario en kg



Para uso en interiores y exteriores



Pendiente máxima segura en ° (grados)



Marcado CE



Tipo de modelo



No está destinada para ser usada como asiento en un vehículo

2.3 Instrucciones generales de seguridad

**PRECAUCIÓN**

Riesgo de lesiones y daños

ES

Tener en cuenta las siguientes advertencias durante su utilización:

- Téngase en cuenta que ciertas partes de la silla de ruedas pueden llegar a calentarse o enfriarse demasiado a causa de la temperatura ambiente, la luz del sol, equipos de calefacción, etc. Tener siempre cuidado al tocar la silla de ruedas. Llevar ropa protectora cuando haga frío.
- No modificar de ningún modo la silla de ruedas, y tener siempre en cuenta las instrucciones de atención y servicio. El fabricante no se hace responsable de daños ocasionados por un mal mantenimiento o una mala inspección.
- Tener siempre en cuenta el alcance de giro del reposapiés para evitar lesionar a otras personas o dañar objetos.
- Al transportar la silla de ruedas, no levantarla agarrando las piezas móviles (ruedas, reposabrazos, reposapiés, etc.). Sólo sujetar el bastidor de la silla de ruedas.
- Al conducir en la oscuridad, el usuario deberá llevar ropa de colores vivos o reflectante, y asegurarse de que los reflectores acoplados a los costados y a la parte trasera de la silla de ruedas manual estén claramente visibles.
- Nunca exceder la carga máxima como se especifica en sección 6.

2.4 Almacenamiento



Asegurarse de que la silla de ruedas se almacena en un lugar seco para evitar el crecimiento de moho o que se dañe la tapicería, véanse también los detalles técnicos en sección 6.

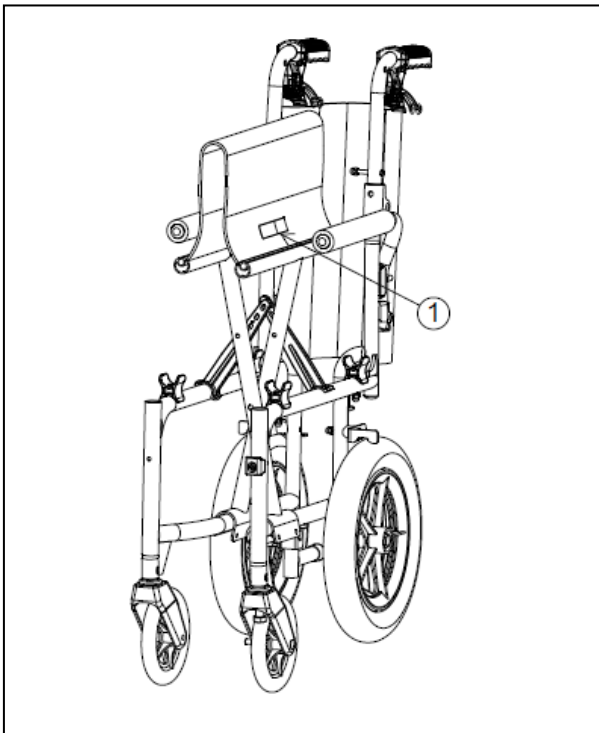
3 Utilizar la silla de ruedas

Este capítulo describe el uso diario de la silla de ruedas Bobby Evo para usuarios y distribuidores. La silla de ruedas se entrega completamente montada al usuario. Para el distribuidor, también se muestra la manera de montar la silla de ruedas manual.

3.1 Apartar la silla de ruedas del camino

Mover la silla de ruedas usando las ruedas y conducirla al destino deseado.

Si no fuera posible y se prefiere no plegarla, agarrar firmemente el bastidor con las dos manos y levantarla del suelo. No utilizar los reposapiés, los reposabrazos o las ruedas para agarrar la silla de ruedas.



También se puede utilizar la cinta del cojín ① para transportar la silla de ruedas manual. Primero, retirar el reposapiés y plegar la silla de ruedas manual. Después, se pueden agarrar los manillares a ambos lados de la silla de ruedas y cargar la silla de ruedas hasta el lugar deseado.

3.2 Transporte



PRECAUCIÓN

Riesgo de lesiones

- NO utilizar la silla de ruedas como asiento en un vehículo, véase el siguiente símbolo.
- Nunca utilizar el mismo cinturón de seguridad para el pasajero y la silla de ruedas.



1. El usuario debe desplazarse a un asiento del coche, véase sección 3.7.
2. Retirar los reposapiés y otros accesorios.
3. Plegar la silla de ruedas a su tamaño más compacto siguiendo las instrucciones en sección 3.3.

4. Almacenar la silla de ruedas, reposapiés y accesorios en el portaequipaje o detrás del asiento del pasajero. Si el maletero y los asientos del coche NO están separados o cerrados, fijar bien el bastidor de la silla de ruedas al vehículo. Se puede usar un cinturón de seguridad del vehículo para este fin.

3.3 Desplegar / plegar la silla de ruedas manual



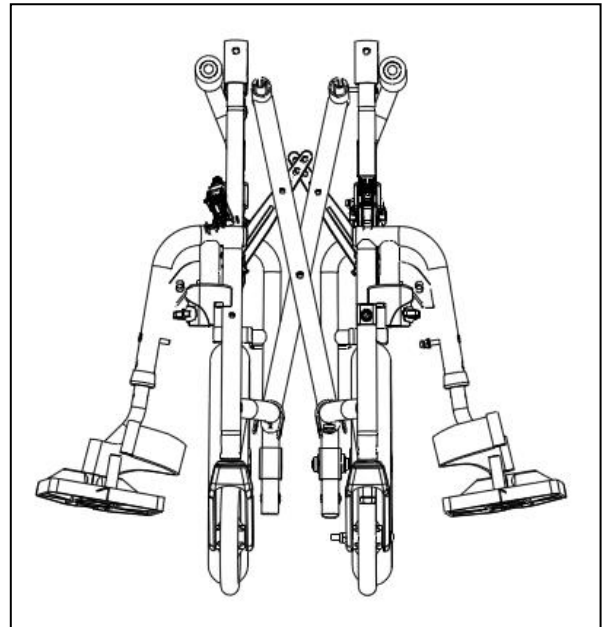
PRECAUCIÓN

Riesgo de lesiones

- Mantenerse fuera del alcance de las piezas móviles para evitar que se atrapen los dedos.

Para desplegar la silla de ruedas:

1. Posicionarse detrás de la silla de ruedas manual.
2. Abrir el respaldo (véase sección 3.5).
3. Usar los manillares de empuje para abrir la silla de ruedas manual lo más amplio posible en ambos lados.
4. Posicionarse delante de la silla de ruedas manual.
5. Presionar hacia abajo sobre los dos tubos de sentado al lado del asiento hasta que queden fijados.



Para plegar la silla de ruedas:

1. Plegar la paleta o retirar el reposapiés (véase sección 3.4);
2. Plegar el respaldo (véase sección 3.5);
3. Agarrar la parte delantera y trasera del cojín en el centro y levantar.

3.4 Montar/Desmontar los reposapiés

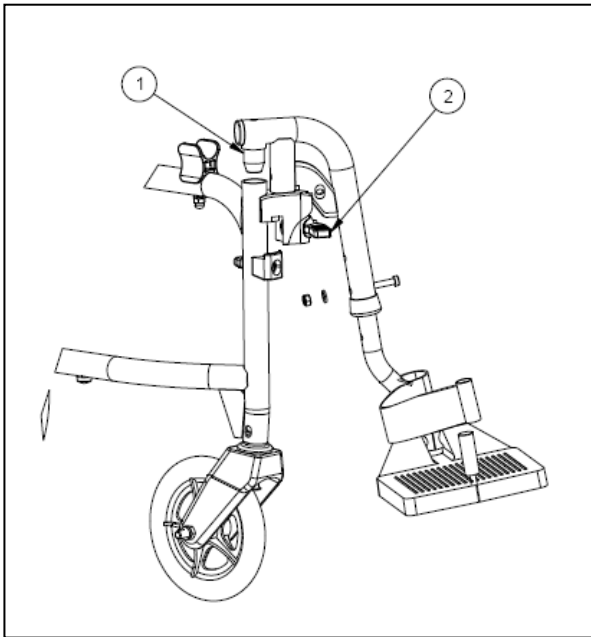


PRECAUCIÓN

Riesgo de lesiones

- Asegurarse de que todos los reposapiés estén bien fijados antes de su uso.
- Tener cuidado de que no haya objetos o personas en el alcance de giro del reposapiés.

ES



Para montar los reposapiés:

1. Sujetar el reposapiés lateralmente y colocar el conector del tubo ① en el bastidor de la silla de ruedas.
2. Girar el reposapiés hacia dentro hasta que se bloquee haciendo un clic.
3. Bajar la paleta del reposapiés.
4. Repetir estos pasos para el segundo reposapiés.

Para desmontar los reposapiés:

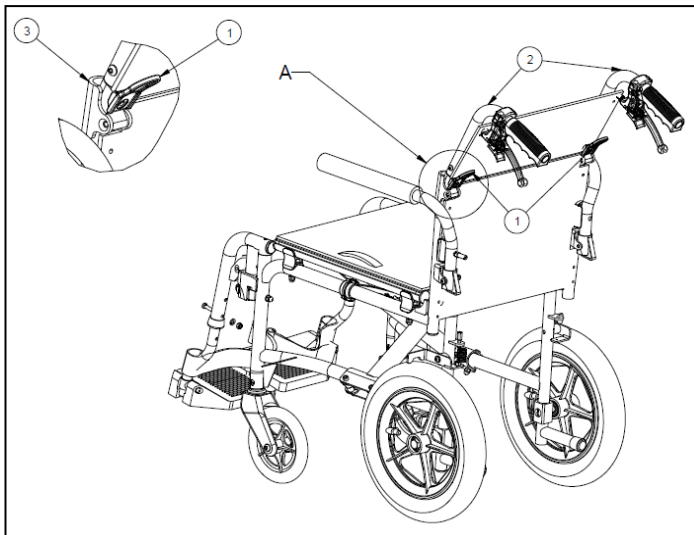
1. Tirar de la palanca ② hacia arriba.
2. Girar el reposapiés hacia afuera.
3. Retirar el reposapiés.
4. Repetir estos pasos para el segundo reposapiés.

3.5 Plegado / Despliegue del respaldo

 CAUTION

Riesgo de lesiones

- Compruebe que el respaldo está bien fijado antes de usarlo.



Para desplegar el respaldo:

1. Tire de los tubos del respaldo ② hacia arriba hasta que el respaldo esté firmemente asegurado.
2. Compruebe que el respaldo esté bien fijado.

Plegado del respaldo:

1. Tire de las palancas ①, hasta que el pasador ③ salga del agujero.
2. Tire hacia abajo los tubos superiores del respaldo ② hasta que el respaldo esté totalmente plegado.

3.6 Accionamiento de los frenos



CAUTION

Riesgo de lesiones

- Los frenos no se utilizan para reducir la velocidad de la silla de transferencia durante los movimientos.
- El buen funcionamiento de los frenos depende de su desgaste y de las sustancias presentes en ellas (agua, aceite, barro, etc.). Compruebe las condiciones de las ruedas antes de utilizarlas.
- Los frenos se pueden ajustar y pueden desgastarse. Compruebe el funcionamiento de los frenos antes de cada uso.
- Riesgo de movimientos no deseados: asegúrese de que la silla de transferencia está en una superficie plana horizontal antes de soltar los frenos.

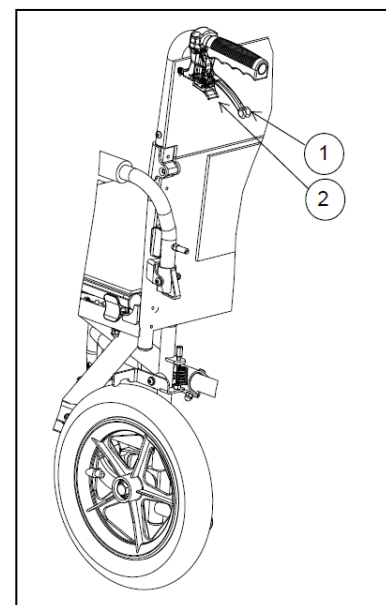
Los frenos sólo pueden ser activados por el acompañante.

Accione los frenos de estacionamiento:

1. Tire de las palancas del freno ① hacia arriba.
2. Presione la parte ② para bloquear los frenos.

Desbloqueo de los frenos de estacionamiento:

1. Primero libere la parte ②.
2. Suelte las palancas del freno ①.



3.7 Trasladarse hacia/ desde la silla de ruedas



PRECAUCIÓN

Riesgo de lesiones y daños

- En caso de que no se pueda hacer el traslado de manera segura, pedir ayuda a alguien.
- No se apoye en las paletas de los reposapiés durante el traslado hacia o desde la silla de ruedas.

Traslado:

1. Colocar la silla de ruedas manual lo más cerca posible del usuario mientras este esté sentado en su silla, sofá, asiento o cama.
2. Aplicar ambos frenos de estacionamiento para bloquear todo movimiento, véase sección 3.6.
3. Plegar las paletas de los reposapiés hacia arriba para evitar apoyarse sobre ellos, o girar los reposapiernas hacia afuera para liberar el paso para el traslado.
4. Si fuera necesario, retirar el reposapiés de un lado (véase sección 3.4).
5. Traslarse hacia/desde la silla de ruedas utilizando la fuerza de los brazos o con la ayuda de un auxiliar o de un equipo de elevación.

Sentarse en la silla de ruedas:

1. Sentarse en el asiento apoyando la zona lumbar contra el respaldo.
2. Volver a instalar el reposapiés si fue retirado.
3. Girar los reposapiés otra vez hacia delante o girar las paletas hacia abajo y colocar los pies en las paletas.

3.8 Conducción



PRECAUCIÓN

Riesgo de lesiones y daños

- Evite que sus manos queden atrapadas en los aros de empuje al pasar por pasos estrechos.
 - No conducir en pendientes o salvar obstáculos, escaleras o bordillos de mayor tamaño que los descritos en sección 6.
1. Soltar los frenos de estacionamiento (véase sección 3.6).
 2. El auxiliar agarra los manillares de empuje.
 3. El auxiliar empuja la silla de ruedas hacia el lugar deseado.

3.8.1 Conducción en pendiente, rampas



PRECAUCIÓN

Riesgo de lesiones

- Controle su velocidad - disminuya su velocidad en pendiente.
 - Considere la habilidad de su auxiliar - si su auxiliar no puede controlar la silla de ruedas, tire de los frenos.
1. Si está disponible, abróchese el cinturón de seguridad.
 2. El auxiliar le transportara pendiente arriba o abajo.
 3. Al subir la pendiente, inclínese hacia delante para desplazar su centro de gravedad hacia delante. Al bajar la cuesta, inclínese hacia atrás.



3.8.2 Superación de obstáculos



PRECAUCIÓN

Riesgo de lesiones y daños

- Si fuera necesario, retirar los reposapiés para asegurarse de que no tocan el suelo debido a la inclinación de la silla de ruedas.
- Siempre salvar bordillos u obstáculos con ayuda de un auxiliar.

Bajando bordillos de frente:

1. Inclinar levemente la silla de ruedas hacia atrás para desplazar el centro de gravedad a las ruedas traseras.
2. Empujar la rueda trasera hasta bajar el bordillo.



Bajando bordillos de espaldas:

1. Aproximarse al bordillo de espaldas.
2. Inclinarse hacia delante para mover el centro de gravedad.
3. Mover y elevar la rueda trasera hasta pasar el bordillo. Colocar la rueda trasera en el suelo.
4. Mover con cuidado las ruedas delanteras hasta bajar el bordillo.



Salvando escaleras u obstáculos

1. Inclinar la silla de ruedas hacia atrás empujando el tapón inclinador hacia abajo con el pie.
2. Mover las ruedas delanteras hasta pasar el bordillo. Colocar las ruedas delanteras en el suelo.
3. Empujar las ruedas traseras hasta subir el bordillo.



3.8.3 Utilizando escaleras

 **PRECAUCIÓN** Riesgo de lesiones y daños

- La silla de ruedas manual no puede usarse en escaleras mecánicas.
 - Las escaleras deben salvarse siempre con ayuda de, por lo menos, dos auxiliares.
1. Retirar los reposapiés, véase sección 3.4.
 2. Un auxiliar inclina levemente la silla de ruedas hacia atrás.
 3. El segundo auxiliar agarra la silla de ruedas en la parte delantera del bastidor, sujetando ambos lados de la silla de ruedas.
 4. Mover con cuidado las sillas traseras de escalón a escalón. Evitar movimientos bruscos.
 5. Después de usar las escaleras, montar los reposapiés en su sitio, véase sección 3.4.

4 INSTALACIÓN Y AJUSTES

Este capítulo está destinado principalmente a distribuidores.



PRECAUCIÓN

Sólo utilizar las piezas y herramientas descritas en este manual.

4.1 Paquete de entrega

Bobby Evo viene equipado con:

1. Bastidor con reposabrazos, ruedas traseras y delanteras;
2. Un par de reposapiés;
3. Empuñaduras + palancas de freno;
4. Cojín del asiento y respaldo;
5. Herramientas: Llave Allen n.º 1, 4, 5, y llave fija;
6. Instrucciones;
7. Accesorios (opcional).

Antes de usar la silla de ruedas, comprobar que todo viene incluido y que ninguna de las piezas esté dañada.

4.2 Herramientas

Para ajustar la silla de ruedas, se necesitan las siguientes herramientas:

- Llave de copa n.º 10
- Llave Allen n.º 4

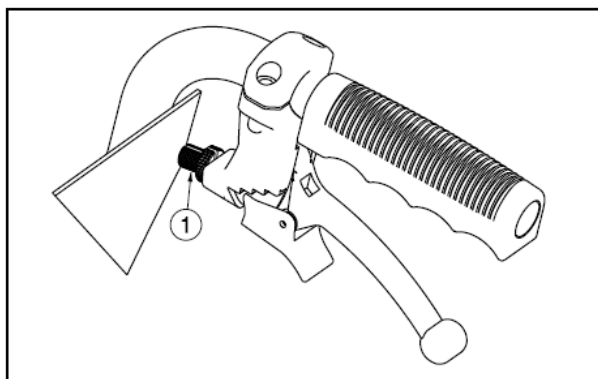
4.3 Ajuste de los frenos



PRECAUCIÓN

Riesgo de lesiones y daños

- Los frenos sólo deben ser ajustados por un distribuidor especializado.



1. Girar ① para ajustar la tensión del cable de freno.
2. Comprobar el efecto sobre el funcionamiento de los frenos.
3. Si fuera necesario, repetir el paso ① hasta que los frenos estén bien ajustados.

4.4 Longitud del reposapiés



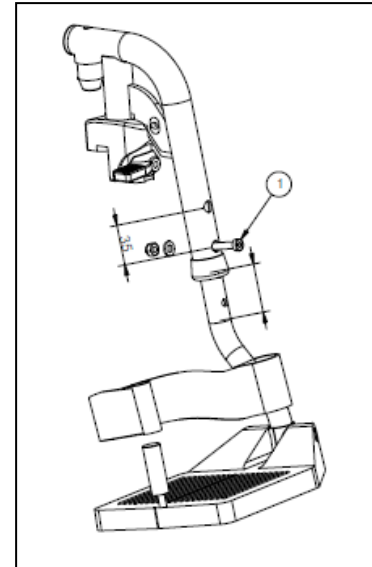
PRECAUCIÓN

Riesgo de daños

- Evitar cualquier contacto entre el reposapiés y el suelo, y mantener una distancia mínima de 6 cm del suelo.

Hay dos posiciones de longitud posibles (intervalo de 35 mm):

1. Aflojar el tornillo ① de la parte delantera del reposapiés.
2. Ajustar el reposapiés a una altura cómoda.
3. Atornillar el tornillo ①.



5 MANTENIMIENTO

ES 5.1 Puntos de mantenimiento

**PRECAUCIÓN**

Riesgo de lesiones y daños

- Cualquier reparación o cambios sólo pueden llevarse a cabo por personal debidamente cualificado y sólo pueden utilizarse piezas de recambio Vermeiren originales.

Antes de cada uso

Inspeccionar los siguientes aspectos:

- Todas las piezas: Presentes y sin daños o desgastes.
- Todas las piezas: Limpias, véase § 5.2.2.
- Reposapiés: Bien asegurados.
- Estado de las ruedas/los neumáticos, véase sección 5.2.1.
- Estado de las piezas del bastidor: Sin deformaciones, inestabilidad, debilidad o conexiones sueltas
- Asiento, respaldo, almohadillas para los brazos: Sin desgastes excesivos (como abolladuras, daños o grietas).
- Freno: sin daños y plenamente en funcionamiento

Ponerse en contacto con el distribuidor especializado para posibles reparaciones o sustitución de piezas.

Anualmente o más regularmente

La silla de ruedas debe pasar por inspección y mantenimiento realizados por el distribuidor especializado por lo menos una vez al año o más a menudo. La frecuencia mínima de mantenimiento depende del uso y debe, por tanto, acordarse mutuamente con el distribuidor especializado.

Si está almacenado

Asegurarse de que la silla de ruedas se almacena en un lugar seco para evitar el crecimiento de moho o que se dañe la tapicería.

5.2 Instrucciones de mantenimiento

5.2.1 Ruedas y neumáticos

Mantener las ruedas libres de cables, pelos, arena y fibras.

Comprobar el perfil de los neumáticos. Si la profundidad del dibujo es de menos de 1 mm, deben sustituirse los neumáticos. Póngase en contacto con su distribuidor especializado para este asunto.

Inflar cada neumático hasta alcanzar la presión correcta, (véase la indicación de presión en los neumáticos).

5.2.2 Limpieza



PRECAUCIÓN

Riesgo de daños

- No utilizar nunca una manguera o un limpiador a alta presión para limpiar la silla de ruedas.

Limpiar todas las piezas rígidas de la silla de ruedas con un paño húmedo (no empapado). Si fuera necesario, utilizar un jabón suave que sea apto para limpiar superficies barnizadas y sintéticas.

La tapicería puede limpiarse con agua templada y jabón suave. No utilizar productos de limpieza abrasivos, ni una esponja o cepillo duro para limpiarla.

5.2.3 Desinfección



PRECAUCIÓN

Riesgo de lesiones y daños

- La desinfección sólo puede llevarla a cabo personal debidamente cualificado. Consulte con su distribuidor especializado al respecto.

5.3 Resolución de problemas

No intentar NUNCA reparar la silla de ruedas por cuenta propia. Aunque se utilice la silla de ruedas de la manera indicada, pueden surgir a veces problemas técnicos. Los siguientes síntomas pueden significar un problema grave. Se recomienda, por tanto, ponerse en contacto con su distribuidor especializado si nota los siguientes problemas:

- Ruidos extraños;
- Desgaste desigual de la banda de uno de los neumáticos;
- Movimientos bruscos;
- La silla de ruedas se desvía a un lado;
- Ensamblajes de las ruedas dañados o rotos;

5.4 Vida útil prevista

La vida útil media de la silla de ruedas es de 5 años. La vida útil aumentará o disminuirá dependiendo de la frecuencia de uso, las circunstancias de conducción y el mantenimiento.


5.5 Fin de vida útil

Al final de la vida útil, deberá desechar la silla de ruedas siguiendo los reglamentos medioambientales de su localidad. Para transportar materiales reciclables de la silla de ruedas de manera más cómoda, se recomienda que se desmonte primero.

6 ESPECIFICACIONES TÉCNICAS

ES Los datos técnicos expuestos a continuación son sólo válidos para esta silla de ruedas, con configuración estándar y en condiciones ambientales óptimas. Tener en cuenta estos datos durante la utilización de la silla para ducha. Los valores aquí expuestos dejarán de ser aplicables si la silla de ruedas ha sido modificada, se ha dañado, o sufre de un desgaste intenso.

Tabla 1: Especificaciones Técnicas

Marca	Vermeiren	
Tipo	Silla de ruedas manual	
Modelo	Bobby Evo	

Descripción	Dimensiones
Peso máx. del usuario	115kg
Ancho efectivo del asiento	42 cm - 48 cm
Anchura total (referencia anchura del asiento)	49 cm - 55 cm
Longitud total (incluido reposapiés)	101 cm
Longitud después de plegar (incluido reposapiés)	86 cm
Longitud después de plegar (excluido reposapiés)	68 cm
Anchura después de plegar (sin reposapiés)	26 cm
Altura después de plegar	75 cm
Altura total	90 cm
Peso total	9,6 kg - 10,0 kg
Peso total de la parte más pesada	8,0 kg - 8,6 kg
Pieza desmontable más pesada	Reposapiés: 1,6 kg
Estabilidad estática cuesta abajo	10°
Estabilidad estática cuesta arriba	10°
Estabilidad estática lateral	10°
Subida de obstáculos	6 cm
Ángulo del asiento	5°
Profundidad efectiva del asiento	42 cm
Altura frontal del asiento	49 cm
Ángulo del respaldo	5°
Altura del respaldo	44 cm
Distancia entre la paleta del reposapiés y el asiento	39 cm - 42 cm
Ángulo del reposapiés y el asiento	114°
Distancia entre el reposabrazos y el asiento	20 cm
Extremo delantero del reposabrazos	30 cm
Eje horizontal de la rueda	2,1 cm
Diámetro de giro mínimo	150 cm
Diámetro de la rueda trasera	12,5"
Diámetro de la rueda delantera	15,5 cm
Temperatura de almacenamiento y uso	+5 °C - +41 °C
Humedad de almacenamiento y uso	30% - 70%
<i>Nos reservamos el derecho a introducir cambios técnicos.</i>	
<i>Tolerancia dimensional ± 15 mm / 1,5 kg / 1,5°.</i>	

SPIS TREŚCI

SPIS TREŚCI	1
WSTĘP	2
1 TWÓJ PRODUKT	3
1.1 AKCESORIA	3
2 PRZED UŻYCIEM	4
2.1 PRZEWIDZIANE ZASTOSOWANIE	4
2.2 ZNACZENIE SYMBOLI	4
2.3 OGÓLNE INSTRUKCJE BEZPIECZEŃSTWA	5
2.4 PRZECHOWYWANIE	5
3 KORZYSTANIE Z WÓZKA INWALIDZKIEGO	6
3.1 ODSUWANIE WÓZKA	6
3.2 TRANSPORT	6
3.3 SKŁADANIE/ROZKŁADANIE WÓZKA MANUALNEGO	7
3.4 MONTOWANIE/DEMONTOWANIE PODNÓŻKÓW	7
3.5 SKŁADANIE / ROZKŁADANIE OPARCIE	8
3.6 OBSŁUGA HAMULCÓW	8
3.7 PRZESIADANIE SIĘ NA WÓZEK/Z WÓZKA	9
3.8 JAZDA	9
4 INSTALACJA I REGULACJE	11
4.1 ZAKRES DOSTAWY	11
4.2 NARZĘDZIA	11
4.3 REGULACJA HAMULCA	11
4.4 DŁUGOŚĆ PODNÓŻKA	12
5 KONSERWACJA	13
5.1 PUNKTY PODDAWANE KONSERWACJI	13
5.2 INSTRUKCJE KONSERWACJI	13
5.3 DIAGNOZOWANIE I ROZWIĄZYWANIE PROBLEMÓW	14
5.4 OCZEKIWANY OKRES UŻYTKOWANIA	14
5.5 KONIEC UŻYTKOWANIA	14
6 PARAMETRY TECHNICZNE	15

WSTĘP

Gratulacje! Zostałeś właścicielem wózka inwalidzkiego Vermeiren!

PL Wózek został stworzony przez zespół złożony z wykwalifikowanych i zaangażowanych pracowników. Zaprojektowano go i wyprodukowano zgodnie z wysokimi standardami jakości, jakich przestrzega Vermeiren.

Dziękujemy za zaufanie, którym obdarzyłeś firmę Vermeiren i jej produkty. Niniejsza instrukcja pomoże właścicielowi w eksploatacji wózka inwalidzkiego i korzystaniu z jego opcji. Prosimy o uważne przeczytanie instrukcji obsługi. Pozwoli ona na zapoznanie się z działaniem, możliwościami i ograniczeniami wózka.

W razie pytań, które nie zostały omówione w instrukcji, prosimy o kontakt z Państwa wyspecjalizowanym sprzedawcą. Sprzedawca chętnie posłuży pomocą.

Ważna uwaga

Aby zapewnić bezpieczeństwo i wydłużyć okres użytkowania, prosimy o dbanie o produkt oraz regularne dokonywanie przeglądów i serwisowanie.

Gwarancja na produkt jest udzielona przy założeniu normalnego użytkowania i konserwacji, opisanych w niniejszej instrukcji. Uszkodzenie produktu spowodowane nieprawidłową eksploatacją lub brakiem konserwacji spowoduje unieważnienie gwarancji.

Instrukcja obejmuje najnowsze rozwiązania zastosowane w produkcie. Firma Vermeiren ma prawo do wprowadzania zmian w produktach tego typu bez obowiązku adaptowania lub wymiany podobnych, poprzednio dostarczonych produktów.

Ilustracje produktu stanowią dodatkowe objaśnienia do instrukcji w niniejszym dokumencie. Szczegóły przedstawionego produktu mogą się różnić od rzeczywistego produktu posiadanego przez użytkownika.

Dostępne informacje

W naszej witrynie internetowej <http://www.vermeiren.com/> zawsze znajduje się najnowsza wersja odpowiednich informacji. Prosimy regularnie odwiedzać witrynę, ponieważ możemy w niej zamieszczać zaktualizowane informacje.

Osoby z zaburzeniami wzroku mogą pobrać elektroniczną wersję niniejszej instrukcji i odsłuchać ją przy użyciu oprogramowania zamieniającego tekst na mowę.



Instrukcje instalacji
Dla wyspecjalizowanego sprzedawcy

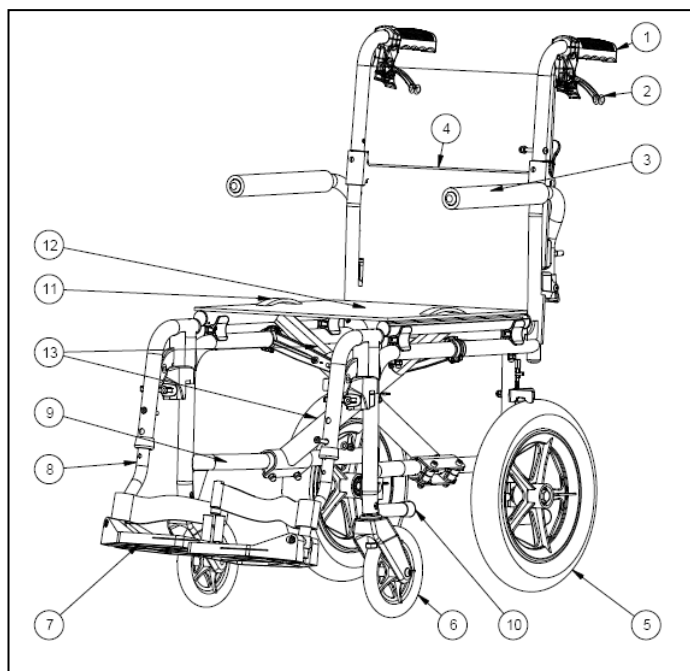


Podręcznik serwisowy na temat wózków
Dla wyspecjalizowanego sprzedawcy



Deklaracja zgodności WE

1 TWÓJ PRODUKT



1. Uchwyty
2. Hamulec ręczny
3. Poduszki podłokietnika
4. Oparcie
5. Tylne koło
6. Koła kierujące (koła przednie)
7. Podpórka pod stopy
8. Podnózek
9. Tabliczka identyfikacyjna
10. Stopka do przechylania
11. Uchwyt poduszki siedziska
12. Poduszka siedziska
13. Zaczepy krzyżowe

PL

1.1 Akcesoria

Dostępne są następujące akcesoria dla Bobby Evo:

- Pas bezpieczeństwa (B20)

2 PRZED UŻYCIEM

2.1 Przewidziane zastosowanie

PL

- Wózek Bobby Evo jest przeznaczony do transportowania osób mających trudności z chodzeniem lub nie mogących chodzić, w tym osób niepełnosprawnych lub osób starszych. Wózek Bobby Evo ułatwia przejazdy na krótkim dystansie i łatwe przemieszczanie.
- Wózek manualny jest zaprojektowany do transportowania wyłącznie jednej (1) osoby ważącej maksymalnie 115 kg. Nie jest przeznaczony do transportu towarów, przedmiotów ani innego wykorzystania niż wcześniej opisane.
- Wózek manualny jest przeznaczony do użytku w pomieszczeniach i na zewnątrz.
- Osoba jest przenoszona przez pomocnika.
- Wózek nie może być stosowany jako siedzisko w pojeździe silnikowym.
- Używać wyłącznie akcesoriów i części zapasowych zatwierdzonych przez Vermeiren.
- Brak przeciwwskazań.

2.2 Znaczenie symboli

Wózki manualne powinny spełniać następujące wymagania:

GB/T 18029.8-2008

GB/T 18029-2000



Maksymalna masa użytkownika w kilogramach



Użycie wewnętrzne i zewnętrzne



Maksymalne bezpieczne nachylenie terenu w ° (stopniach)



Zgodność z wymaganiami CE




Oznaczenie typu



Nie może być używany jako siedzisko w pojeździe silnikowym.

2.3 Ogólne instrukcje bezpieczeństwa

 **UWAGA** Ryzyko obrażeń i/lub uszkodzeń

Podczas eksploatacji należy pamiętać o następujących ogólnych ostrzeżeniach:

PL

- Niektóre części wózka mogą się bardzo nagrzać lub oziębic ze względu na temperaturę otoczenia, promieniowanie słoneczne lub urządzenia grzewcze. Należy zachować ostrożność przy dotykaniu wózka. Gdy jest zimno, należy nosić odzież ochronną.
- Konstrukcji wózka nie wolno w żaden sposób modyfikować i należy przestrzegać instrukcji konserwacji i serwisu. Producent nie odpowiada za szkody spowodowane przez nieprawidłowe serwisowanie/konserwację.
- Należy zawsze pamiętać o zasięgu wychylenia podnóżka, aby nie zranić osób i nie spowodować uszkodzeń.
- Podczas transportowania wózka, nigdy nie należy go podnosić za ruchome elementy (koła, podłokietniki, podnóżki, itd.). Należy chwytać wyłącznie za ramę wózka.
- Podczas jazdy po zmroku, należy zakładać jasną lub odblaskową odzież i upewnić się, że elementy odblaskowe z boku i z tyłu wózka są widoczne.
- Nigdy nie przekraczać maksymalnego obciążenia wskazanego w rozdziale 6.

2.4 Przechowywanie

- i** Upewnić się, że wózek jest przechowywany w suchym miejscu, aby zapobiec wzrostowi pleśni i uszkodzeniu tapicerki, patrz też dane techniczne w 6.

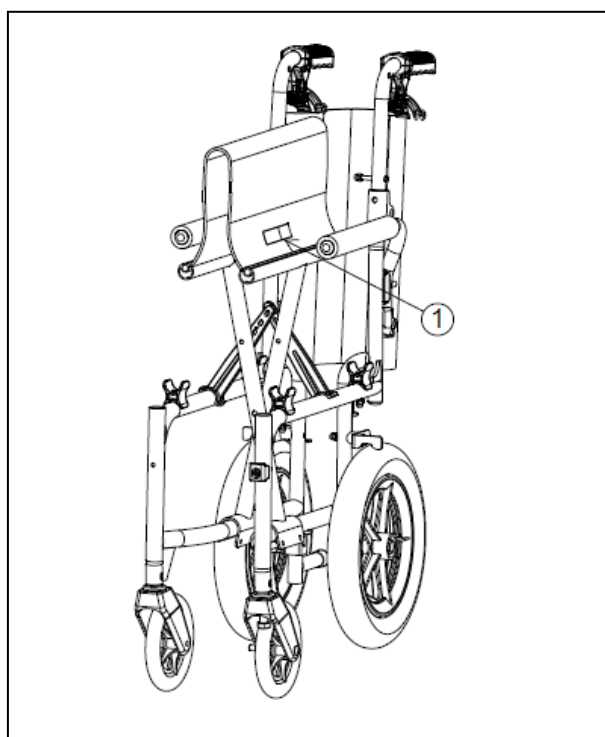
3 KORZYSTANIE Z WÓZKA INWALIDZKIEGO

Niniejszy rozdział opisuje codzienne korzystanie z wózka Bobby Evo dla użytkowników i sprzedawców. Użytkownik otrzymuje wózek gotowy do jazdy. Zamieściliśmy też instrukcje montażu wózka dla sprzedawców.

3.1 Odsuwanie wózka

Wózek można przetoczyć w inne miejsce.

Jeżeli nie jest to możliwe, a złożenie wózka nie jest wskazane, należy mocno chwycić ramę obydwoma rękami i podnieść wózek. Nie chwytać wózka za podnóżki, podłokietniki i koła.



Można również użyć uchwytu poduszki ①, aby przenieść wózek manualny. Najpierw usunąć podnóżek, a potem złożyć wózek. Wówczas można złapać uchwyty po obu stronach i przenieść wózek w inne miejsce.

3.2 Transport

 **UWAGA** Ryzyko obrażeń

- Nie UŻYWAĆ wózka jako siedziska w pojeździe, patrz symbol obok.
- Nigdy nie przypinać wózka i pasażera tym samym pasem bezpieczeństwa.



1. Użytkownik powinien przesiąść się na siedzenie samochodu, patrz rozdział 3.5.
2. Usunąć podnóżki i inne akcesoria.
3. Złożyć wózek do najmniejszego rozmiaru zgodnie z instrukcjami w rozdziale 3.3.
4. Umieścić wózek, podnóżki i akcesoria w bagażniku lub za fotelem pasażera. Jeśli bagażnik i kabina pasażerów NIE są oddzielone lub zamknięte, mocno i bezpiecznie przypiąć ramę wózka do pojazdu. Można użyć samochodowego pasa bezpieczeństwa.

3.3 Składanie/Rozkładanie wózka manualnego

⚠ PRZESTROGA Ryzyko obrażeń

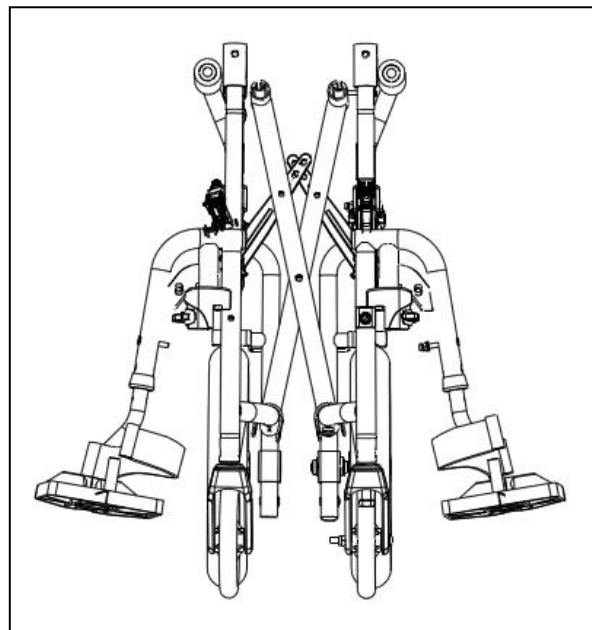
- Uważać na ruchome części wózka, aby uniknąć zakleszczenia palców.

Aby rozłożyć wózek:

1. Stań za wózkiem manualnym.
2. Rozłożyć oparcie (patrz rozdział 3.5).
3. Użyć obu rączek, aby maksymalnie rozłożyć wózek na obie strony.
4. Stań przed wózkiem manualnym.
5. Nacisnąć dwie rury po bokach siedziska aż do ich zamocowania.

Aby złożyć wózek:

1. Złożyć podpórkę lub usunąć podnóżek (patrz rozdział 3.4);
2. Złożyć oparcie (patrz rozdział 3.5);
3. Chwycić tył oraz przód poduszki w jej środkowej części i podnieść poduszkę.



3.4 Montowanie/Demontowanie podnóżków

⚠ PRZESTROGA Ryzyko obrażeń

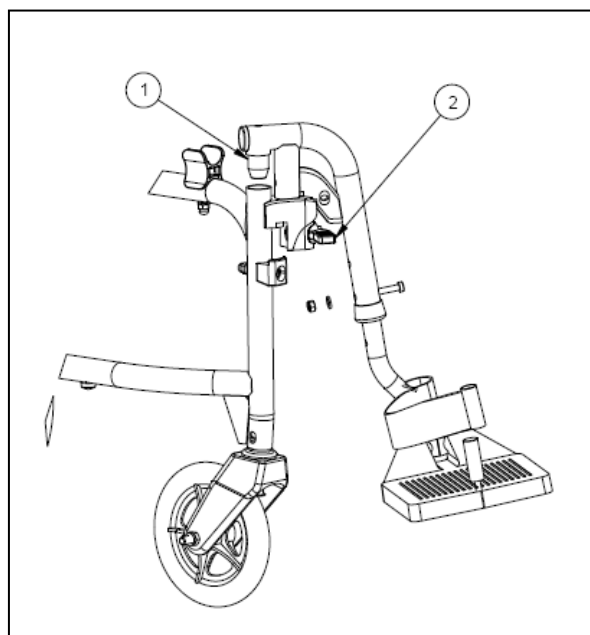
- Przed rozpoczęciem jazdy upewnić się, że podnóżki są mocno dokręcone.
- Należy zawsze pamiętać o zasięgu wychylenia podnóżka, aby nie zranić osób i nie spowodować uszkodzeń.

Montowanie podnóżków:

1. Odsunąć podnóżek na bok i połączyć rurę ① z ramą wózka.
2. Obrócić podnóżek do środka, aż zostanie zablokowany.
3. Obniżyć podpórkę
4. Powtórzyć z drugim podnóżkiem.

Demontowanie podnóżków:

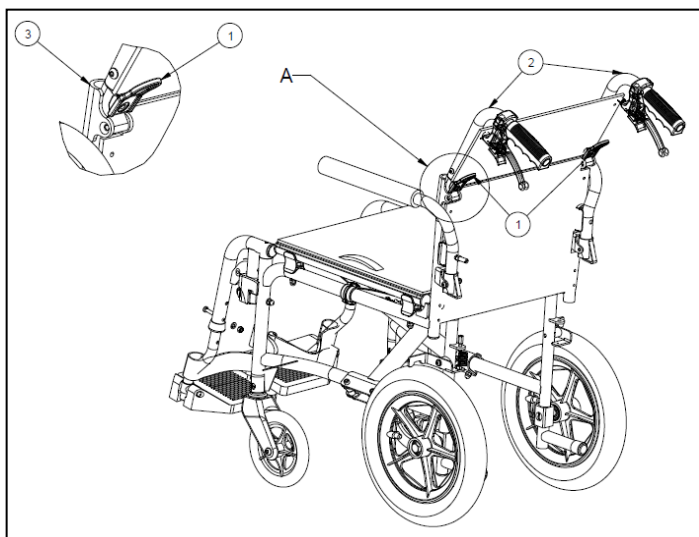
1. Unieść uchwyt ②.
2. Odchylić podnóżek na zewnątrz.
3. Zdjąć podnóżek.
4. Powtórzyć z drugim podnóżkiem.



3.5 Składanie / Rozkładanie oparcie

⚠ PRZESTROGA Ryzyko obrażeń

- Należy upewnić się, że przed użyciem oparcie jest zablokowany.



Aby rozłożyć oparcie:

- Pociągnij rury oparcia do góry ② do momentu w którym oparcie jest prawidłowo zabezpieczone.
- Sprawdź, czy oparcie jest odpowiednio zamocowane

Aby złożyć oparcie:

- Pociągnij dźwignie ①, do momentu w którym sworzeń ③ wyjdzie z otworu.
- Wyciągnij górne rurki oparcia ② dolne oparcie jest w pełni składane.

3.6 Obsługa hamulców

⚠ PRZESTROGA Ryzyko obrażeń

- Hamulce nie służą do spowalniania wózka inwalidzkiego transportowego w trakcie ruchu.
- Prawidłowe działanie hamulców zależy od ich zużycia i zanieczyszczenia opon (woda, olej, błoto itp.) — Należy sprawdzić stan opon przed każdym użyciem.
- Hamulce są regulowane i mogą ulec zużyciu – należy sprawdzać stan hamulców przed każdym użyciem.
- Ryzyko niezamierzonego ruchu – przed zwolnieniem hamulców należy upewnić się, że wózek transportowy inwalidzki znajduje się na płaskiej, poziomej powierzchni.

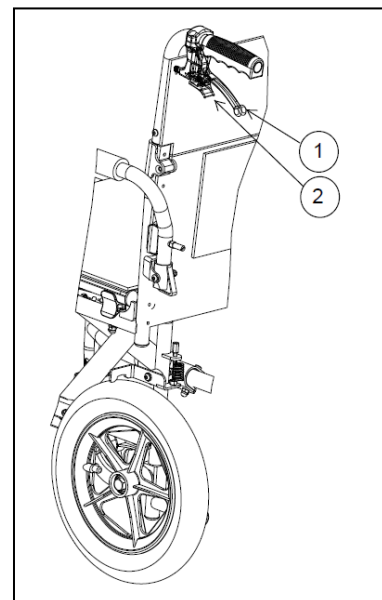
Z hamulców tych może korzystać opiekun.

Włącz hamulec postojowy:

- Pociągnij dźwignię hamulca ① do góry.
- Pociągnij za dźwignię ② aby zablokować hamulce.

Zwalnianie hamulca postojowego:

- Zwolnij dźwignię hamulca ②.
- Zwolnij rączkę hamulca ①.



3.7 Przesiadanie się na wózek/z wózka

 **PRZESTROGA** Ryzyko obrażeń i/lub uszkodzeń

- Jeśli użytkownik nie może się bezpiecznie przesiąść, powinien poprosić o pomoc.
- Podczas przesiadania się na wózek/z wózka nie należy stać na podpórkach pod stopy.


Przesiadanie się

1. Ustawić wózek manualny możliwie najbliżej siebie, siedząc na krześle, kanapie, fotelu lub łóżku.
2. Zaciśnąć oba hamulce postojowe, aby uniemożliwić przemieszczenie, patrz rozdział 3.4.
3. Złożyć podpórki, aby uniemożliwić stanięcie na nich lub przesunąć podnóżki na bok, aby ułatwić przejazd.
4. W razie konieczności, usunąć podnóżek z jednej strony (patrz rozdział 3.4).
5. Użytkownik może się przesiąść na wózek/z wózka samodzielnie, używając siły rąk. Można też użyć sprzętu do podnoszenia lub poprosić o pomoc asystenta.

Siedzenie na wózku:

1. Siedzieć na siedzisku tak, aby dolna część pleców opierała się o oparcie.
2. Ponownie zainstalować podnóżek, jeżeli został usunięty.
3. Obrócić podnóżki do przodu lub rozłożyć podpórkę i umieścić stopy na podpórce.

3.8 Jazda

 **PRZESTROGA** Ryzyko obrażeń i/lub uszkodzeń

- Chronić ręce trzymane na uchwytach przed zakleszczeniem w razie przejeżdżania przez wąski korytarz.
 - Nie jeździć po wzniesieniach, przeszkodach, stopniach lub krawężnikach wyższych niż określono w rozdziale 6.
1. Zwolnić hamulce postojowe (patrz rozdział 3.6).
 2. Pomocnik chwyta rączki.
 3. Pomocnik przepycha wózek w żądane miejsce.

3.8.1 Jazda po wzniesieniach, rampach

 **PRZESTROGA** Ryzyko obrażeń

- Kontrolować prędkość - należy zwolnić na zboczu.
- Uwzględnić możliwości pomocnika - jeżeli nie może utrzymać wózka, należy zaciągnąć hamulce.

1. O ile to możliwe, zapiąć pas bezpieczeństwa.
2. Pomocnik podjeżdża/zjeżdża wózkiem.
3. Podczas podjeżdżania pod górę, pochylić się do przodu, aby przesunąć środek ciężkości. Podczas zjeżdżania z góry, odchylić się do tyłu.



3.8.2 Jazda przez przeszkody



PRZESTROGA

Ryzyko obrażeń i/lub uszkodzeń

- W razie potrzeby, usunąć podnóżki, aby nie dotykały podłoża wskutek nachylenia wózka.
- Zawsze pokonywać krawężnik lub omijać przeszkody z pomocą innej osoby.

Zjeżdżanie z krawężnika przodem:

1. Przechylić wózek do tyłu, aby przenieść środek ciężkości na tylne koła.
2. Zjechać tylnym kołem z krawężnika.



Zjeżdżanie z krawężnika tyłem:

1. Dojechać tyłem do krawężnika.
2. Pochylić się do przodu, aby przesunąć środek ciężkości.
3. Przesunąć i unieść tylne koło ponad krawężnik. Umieścić tylne koło na ziemi.
4. Delikatnie zsunąć przednie koła z krawężnika.



Wjeżdżanie po schodach lub przeszkodach

1. Odchylić wózek do tyłu przez naciśnięcie stopki do przechylania wózka.
2. Wjechać przednimi kołami na krawężnik. Umieścić tylne koła na ziemi.
3. Zjechać tylnymi kołami z krawężnika.



3.8.3 Korzystanie ze schodów



PRZESTROGA

Ryzyko obrażeń i/lub uszkodzeń

- Nie można używać wózka manualnego na schodach ruchomych.
 - Schody należy zawsze pokonywać z pomocą (przynajmniej) dwóch pomocników.
1. Usunąć podnóżki, zobacz rozdział 3.4.
 2. Jeden z pomocników przechyla wózek lekko do tyłu.
 3. Drugi pomocnik chwyta wózek za przednią część ramy lub oba boki wózka.
 4. Delikatnie przesuwają tylne koła ze stopnia na stopień. Unikać gwałtownych ruchów.
 5. Po zjechaniu lub wjechaniu, ponownie zamontować podnóżki, patrz rozdział 3.4.

4 INSTALACJA I REGULACJE

Ten rozdział jest przeznaczony głównie dla sprzedawców.

⚠ PRZESTROGA Należy używać wyłącznie części i narzędzi opisanych w tej instrukcji.

PL

4.1 Zakres dostawy

Wózek Bobby Evo jest dostarczany z następującymi elementami:

1. Rama z podłokietnikami, koła przednie i tylne;
2. Para podnóżków;
3. Uchwyty + dźwignie hamulca;
4. Poduszka siedziska i oparcie;
5. Narzędzia: Klucze imbusowe 1, 4, 5 oraz klucz płaski;
6. Instrukcje;
7. Akcesoria (opcjonalne).

Przed użyciem sprawdzić, czy żadnej części nie brakuje i czy żadna z nich nie jest uszkodzona.

4.2 Narzędzia

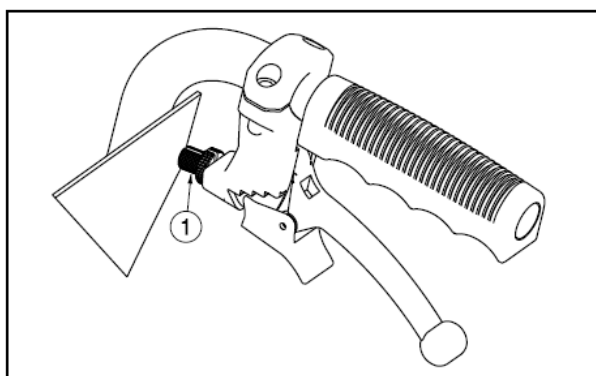
Aby wyregulować wózek, potrzebne są następujące narzędzia:

- Klucz nasadowy 10
- Klucz imbusowy 4

4.3 Regulacja hamulca

⚠ PRZESTROGA Ryzyko obrażeń i/lub uszkodzeń

- Regulację hamulców może wykonywać tylko wyspecjalizowany sprzedawca.



1. Obrócić ①, aby wyregulować napięcie linki hamulcowej.
2. Sprawdzać działanie hamulców.
3. W razie konieczności, powtórzyć krok ① aż do wyregulowania hamulców.

4.4 Długość podnóżka



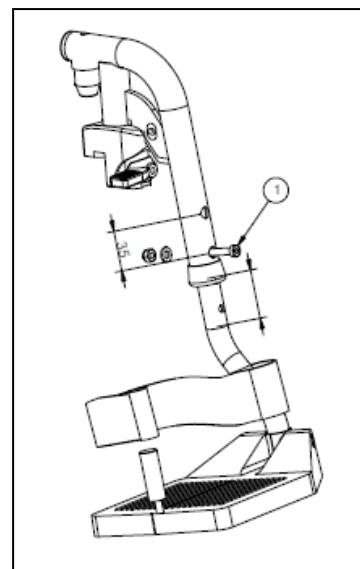
UWAGA

Ryzyko uszkodzenia

- Unikać kontaktu między podnóżkiem a podłożem i zachować minimalny prześwit 6 cm od ziemi.


Możliwe są dwa ustawienia długości (odstęp 35 mm):

1. Poluzować śrubę ① na przodzie podnóżka.
2. Ustawić podnóżek na wygodnej wysokości.
3. Dokręcić śrubę ①.



5 KONSERWACJA

5.1 Punkty poddawane konserwacji

 **UWAGA** Ryzyko obrażeń i/lub uszkodzeń

- Naprawa i wymiana części mogą być wykonywane tylko przez osoby przeszkolone. Należy używać wyłącznie oryginalnych części zamiennych Vermeiren.

Przed każdym użyciem

Sprawdzić następujące punkty:

- Czy wszystkie części: są zamontowane, nie są uszkodzone ani zużyte.
- Czy wszystkie części: są czyste, patrz rozdział 5.2.2.
- Podnóżki: poprawność zamocowania.
- Stan kół/opon, patrz rozdział 5.2.1;
- Stan części ramy: brak odkształceń, niestabilności, osłabień, poluzowanych połączeń
- Siedzisko, oparcie, podłokietniki: brak nadmiernego zużycia (wgniecenia, uszkodzenia, rozdarcia).
- Hamulce: nieuszkodzone i w pełni sprawne

Skontaktować się z wyspecjalizowanym sprzedawcą w kwestii ewentualnych napraw lub wymiany części.

Co roku lub częściej

Zlecać kontrolę i serwis wózka wyspecjalizowanemu sprzedawcy raz w roku lub częściej. Minimalna częstotliwość czynności konserwacyjnych zależy od natężenia eksploatacji. Dlatego należy ją uzgodnić z wyspecjalizowanym sprzedawcą.

W przypadku przechowywania

Upewnić się, że wózek jest przechowywany w suchym miejscu, aby zapobiec wzrostowi pleśni i uszkodzeniu tapicerki.

5.2 Instrukcje konserwacji

5.2.1 Koła i opony

Koła powinny być czyste i wolne od drutów, włosów, piasku i włókien.

Sprawdzić profil opon. Jeśli bieżnik jest płytszy niż 1 mm, opony należy wymienić. Skontaktować się z wyspecjalizowanym sprzedawcą w tej kwestii.

Opony pneumatyczne napompować do odpowiedniego ciśnienia (patrz wskazanie ciśnienia na oponach).

5.2.2 Czyszczenie

 **UWAGA** Ryzyko uszkodzenia

- Do czyszczenia wózka nie używać strumienia wody z węża ani myjki wysokociśnieniowej.

Wszystkie twarde części wózka wycierać wilgotną (ale moką) ściereczką. W razie konieczności używać łagodnego detergentu odpowiedniego do mycia powierzchni lakierowanych i z tworzyw sztucznych.

Tapicerkę można czyścić letnią wodą z łagodnym detergentem. Do czyszczenia nie używać ściernych środków czyszczących, ściерnej gąbki ani twardej szczotki.

5.2.3 Dezynfekcja

 **UWAGA** Ryzyko obrażeń i/lub uszkodzeń

- Dezynfekcję mogą wykonywać wyłącznie osoby odpowiednio przeszkolone. Zasięgnąć porady u wyspecjalizowanego sprzedawcy.

5.3 Diagnozowanie i rozwiązywanie problemów

NIGDY nie podejmować prób samodzielnej naprawy wózka. Nawet jeśli wózek jest użytkowany prawidłowo, może wystąpić problem techniczny. Następujące objawy mogą oznaczać poważny problem. Jeśli wystąpią któreś z poniższych sytuacji należy zawsze się skontaktować z wyspecjalizowanym sprzedawcą.

- Nietypowe dźwięki;
- Nierównomierne zużycie bieżnika na jednej z opon;
- Trzęsące się, rwane ruchy;
- Ściąganie wózka na jedną stronę;
- Uszkodzone lub zepsute zespoły kół;

5.4 Oczekiwany okres użytkowania

Przeciętny okres użytkowania wózka to 5 lat. Ten czas może być dłuższy lub krótszy, zależnie od częstotliwości korzystania, warunków jazdy i konserwacji wózka.

5.5 Koniec użytkowania


Po zakończeniu użytkowania poddać wózek utylizacji zgodnie z lokalnie obowiązującymi przepisami w zakresie ochrony środowiska. Najlepszym sposobem, aby to zrobić, jest demontaż wózka w celu ułatwienia transportu części nadających się do przetworzenia.

6 PARAMETRY TECHNICZNE

Parametry techniczne zamieszczone poniżej dotyczą tylko tego wózka, przy standardowych ustawieniach i optymalnych warunkach otoczenia. Podczas użytkowania należy uwzględnić te parametry. Wartości będą nieważne, jeśli wózek inwalidzki zostanie zmodyfikowany, uszkodzony lub w dużym stopniu zużyty.

PL

Tabela 1: Parametry techniczne

Marka	Vermeiren	
Typ	Wózek manualny	
Model	Bobby Evo	

Opis	Wymiary
Maksymalna masa użytkownika	115kg
Efektywna szerokość siedziska	42 cm - 48 cm
Łączna szerokość (standardowa szerokość siedziska)	49 cm - 55 cm
Pełna długość (z podnóżkiem)	101 cm
Długość po złożeniu (z podnóżkiem)	86 cm
Długość po złożeniu (bez podnóżka)	68 cm
Szerokość po złożeniu (bez podnóżka)	26 cm
Wysokość po złożeniu	75 cm
Łączna wysokość	90 cm
Łączna masa	9,6 kg - 10,0 kg
Łączna masa najcięższej części	8,0 kg - 8,6 kg
Najcięższa demontowana część	Podnóżek: 1,6 kg
Stabilność statyczna przy zjeździe w dół	10°
Stabilność statyczna przy podjeździe w górę	10°
Stabilność statyczna na boki	10°
Wjeżdżanie na przeszkody	6 cm
Kąt nachylenia siedziska	5°
Efektywna głębokość siedziska	42 cm
Wysokość przedniego siedziska	49 cm
Kąt oparcia	5°
Wysokość oparcia	44 cm
Odległość między podpórką pod stopę i siedziskiem	39 cm - 42 cm
Kąt nachylenia podnóżka i siedziska	114°
Odległość między podłokietnikiem a siedziskiem	20 cm
Przednia krawędź podłokietnika	30 cm
Oś pozioma koła	2,1 cm
Minimalna średnica skrętu	150 cm
Średnica tylnego koła	12,5"
Średnica przedniego koła	15,5 cm
Temperatura przechowywania i użytkowania	+5°C - +41°C
Wilgotność przechowywania i użytkowania	30% - 70%

Zastrzegamy sobie prawo do wprowadzania zmian technicznych.

Tolerancja pomiarów +/- 15 mm / 1,5 kg / 1,5°.

OBSAH

OBSAH	1
ÚVOD	2
1 TENTO VÝROBEK	3
1.1 PŘÍSLUŠENSTVÍ	3
2 PŘED POUŽITÍM	4
2.1 URČENÉ POUŽITÍ	4
2.2 VYSVĚTLIVKY SYMBOLŮ	4
2.3 OBECNÉ BEZPEČNOSTNÍ POKYNY.....	5
2.4 SKLADOVÁNÍ	5
3 POUŽÍVÁNÍ INVALIDNÍHO VOZÍKU	6
3.1 POHYB INVALIDNÍHO VOZÍKU MIMO CESTU	6
3.2 PŘEPRAVA	6
3.3 ROZLOŽENÍ / SLOŽENÍ RUČNÍHO INVALIDNÍHO VOZÍKU	7
3.4 MONTÁŽ / DEMONTÁŽ OPĚREK NOHOU.....	7
3.5 ROZLOŽENÍ/SLOŽENÍ OPĚRADLA	8
3.6 PARKOVACÍ BRZDY	8
3.7 PŘESUN NA INVALIDNÍ VOZÍK NEBO Z NĚJ	9
3.8 JÍZDA.....	9
4 INSTALACE A SEŘÍZENÍ	11
4.1 ROZSAH DODÁVKY	11
4.2 NÁSTROJE	11
4.3 SEŘÍZENÍ BRZD	11
4.4 DÉLKA OPĚRKY NOHOU	12
5 ÚDRŽBA	13
5.1 BODY ÚDRŽBY.....	13
5.2 POKYNY PRO ÚDRŽBU	13
5.3 ŘEŠENÍ PROBLÉMŮ.....	14
5.4 OČEKÁVANÁ ŽIVOTNOST.....	14
5.5 KONEC POUŽÍVÁNÍ	14
6 TECHNICKÉ ÚDAJE	15

ÚVOD

Blahopřejeme! Nyní jste vlastníkem invalidního vozíku Vermeiren!

Tento invalidní vozík byl vyroben pečlivými pracovníky s kvalifikací. Navíc byl navržen a vyroben podle vysokých standardů kvality, nad nimiž dohlíží společnost Vermeiren.

Děkujeme za vaši důvěru ve výrobky společnosti Vermeiren. Tento návod slouží k tomu, aby vám pomáhal s použitím tohoto invalidního vozíku a jeho provozních možností. Řádně si jej přečtěte; pomůže vám seznámit se s provozem, schopnostmi a omezeními tohoto invalidního vozíku.

Máte-li po přečtení tohoto návodu nějaké dotazy, obraťte se bez obav na svého odborného prodejce. Rád vám pomůže.

Důležitá poznámka

Aby byla zajištěna vaše bezpečnost a prodloužena životnost tohoto výrobku, věnujte mu řádnou péči a nechávejte jej pravidelně kontrolovat a opravovat.

Záruka na tento výrobek je založena na běžném použití a údržbě, jak je to popsáno v tomto návodu. V případě poškození výrobku způsobeného nesprávným použitím či absencí údržby tato záruka zanikne.

V tomto návodu se odráží nejnovější vývoj výrobku. Společnost Vermeiren má právo provádět změny tohoto typu výrobku, aniž by měla povinnost upravit či nahradit podobné výrobky, které již byly dodány.

Obrázky výrobku slouží k objasnění pokynů v tomto návodu. Detaily výrobku na obrázcích se mohou od daného výrobku lišit.

Dostupné informace

Nejnovější verzi následujících informací vždy naleznete na našich webových stránkách <http://www.vermeiren.com/>. Tyto webové stránky pravidelně navštěvujte pro případné aktualizace.

Osoby se zrakovým postižením si mohou stáhnout elektronickou verzi tohoto návodu, kterou jim může přečíst softwarová aplikace text-to-speech.



Návod k instalaci

Pro odborného prodejce



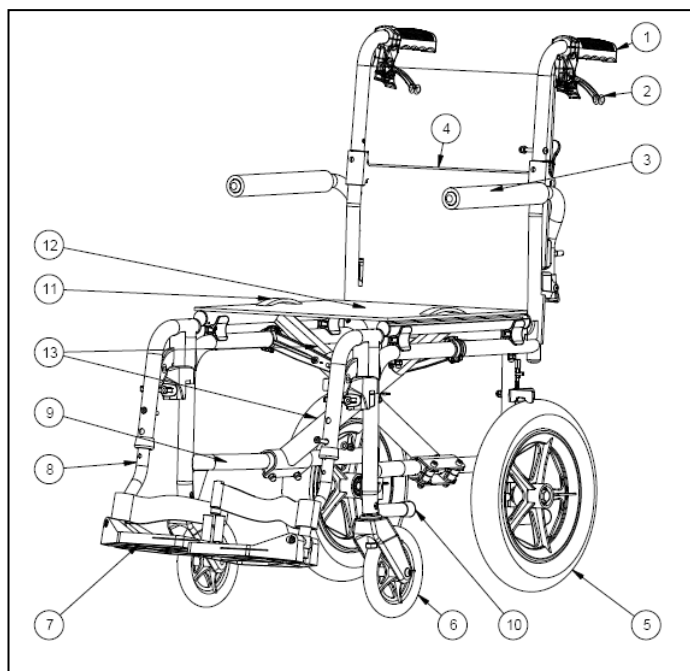
Servisní příručka pro invalidní vozíky

Pro odborného prodejce



Prohlášení o shodě (ES)

1 TENTO VÝROBEK



1. Rukojeť
2. Ruční brzda
3. Loketní opěrka
4. Opěradlo
5. Zadní kolo
6. Řídicí kolo (přední kolo)
7. Nožní deska
8. Opěrka nohou
9. Identifikační štítek
10. Výklopná krytka
11. Madlo čalounění sedadla
12. Čalounění sedadla
13. Příčné vzpěry

CS

1.1 Příslušenství

Pro Bobby Evo je k dispozici následující příslušenství:

- Bezpečnostní pás (B20)

2 Před použitím

2.1 Určené použití

- Invalidní vozík Bobby Evo je určen k přepravě osob, které mají problémy s chůzí nebo nemohou chodit, jako jsou osoby se zdravotním postižením a senioři. Invalidní vozík Bobby Evo je konstruován pro cesty na krátké vzdálenosti a pohodlný přenos.
- Tento invalidní vozík je konstruován pro přepravu jedné (1) osoby o max. hmotnosti 115 kg. Není určen pro přepravu zboží či předmětů ani pro jakýkoli jiný účel, než je popsán výše.
- Tento ruční invalidní vozík je vhodný pro interiérové a venkovní použití.
- Osobou na vozíku pohybuje doprovod.
- Tento invalidní vozík není určen k použití jako sedadlo v motorovém vozidle
- Používejte pouze příslušenství a náhradní díly schválené společností Vermeiren.
- Žádné kontraindikace.

2.2 Vysvětlivky symbolů

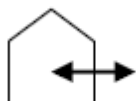
Ruční invalidní vozíky musejí splňovat následující požadavky:

GB/T 18029.8-2008

GB/T 18029-2000



Max. hmotnost uživatele v kg



Pro použití uvnitř i venku



Max. bezpečný sklon ve ° (stupních)



Shoda s CE



Typ určení



Není určen k použití jako sedadlo v motorovém vozidle

2.3 Obecné bezpečnostní pokyny

 **POZOR** Riziko zranění anebo poškození

Při použití mějte na paměti tato obecná upozornění:

CS

- Mějte na paměti, že určité části invalidního vozíku mohou být velmi teplé či studené vlivem okolní teploty, slunečního záření nebo topných těles. Při dotýkání buďte opatrní. Při chladném počasí používejte ochranný oděv.
- Tento invalidní vozík žádným způsobem neupravujte, a dodržujte pokyny pro servis a péči o něj. Výrobce neodpovídá za škody způsobené nesprávným servisem / péčí o výrobek.
- Vždy mějte na paměti rozsah výkyvu opěrek nohou, aby nedošlo ke zranění osob nebo k poškození předmětů.
- Když invalidní vozík přemísťujete, nikdy jej neuchopte za pohyblivé části (kola, opěrky rukou, opěrky nohou atd.). Uchopte pouze rám invalidního vozíku.
- Při jízdě v noci noste světlé či reflexní oděvy a navíc zajistěte, aby byly odrazky upevněné na boční a zadní straně ručního invalidního vozíku zřetelně viditelné.
- Nikdy nepřekračujte max. zatížení, které je uvedeno v odst. 6.

2.4 Skladování

- i** Zajistěte, aby byl invalidní vozík skladován na suchém místě, kde nemůže dojít k výskytu plísní a k poškození čalounění. Viz také technické podrobnosti v odst. 6.

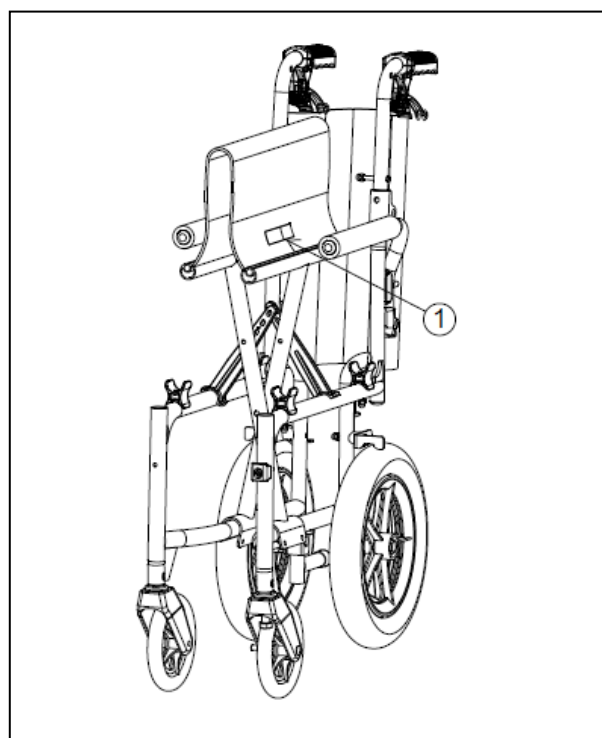
3 Používání invalidního vozíku

Tato kapitola popisuje každodenní použití invalidního vozíku Bobby Evo pro uživatele a prodejce. Invalidní vozík je uživateli dodáván plně sestavený. Pro prodejce také uvádíme, jak ruční invalidní vozík sestavit.

CS 3.1 Pohyb invalidního vozíku mimo cestu

Pohybujte invalidním vozíkem pomocí jeho kol a dopravte jej na místo určení. Není-li to možné a složení není žádoucí, pevně uchopte rám vozíku oběma rukama a zvedněte jej z podlahy. K uchopení invalidního vozíku nepoužívejte loketní opěrky, opěrky nohou ani kola.

K přenášení ručního invalidního vozíku lze také použít madlo čalounění ①. Nejprve vyjměte opěrku nohou a ruční invalidní vozík složte. Potom můžete uchopit madla po obou stranách invalidního vozíku a přenést jej na požadované místo.



3.2 Přeprava

 **POZOR** Riziko zranění

- Tento invalidní vozík NIKDY nepoužívejte jako sedadlo ve vozidle, viz následující symbol.
- Nikdy nepoužívejte stejný bezpečnostní pás pro cestujícího a invalidní vozík.



1. Jako uživatel se přemístěte na sedadlo vozidla, viz odst. 3.7.
2. Odeberte opěrky nohou a další příslušenství.
3. Složte invalidní vozík do nejkompaktnější velikosti podle pokynů v odst. 3.3.
4. Uložte invalidní vozík, opěrky nohou a příslušenství do zavazadlovém prostoru nebo za sedadlo spolujezdce. Pokud NENÍ zavazadlový prostor zcela uzavřen či oddělen od cestujících, řádně připevněte rám invalidního vozíku k vozidlu. Můžete použít dostupný bezpečnostní pás ve vozidle.

3.3 Rozložení / složení ručního invalidního vozíku



POZOR

Riziko zranění

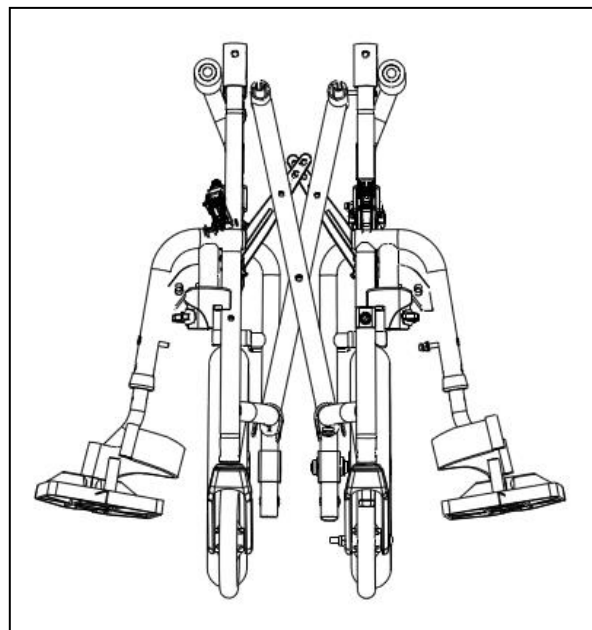
- Aby nedošlo ke zranění prstů, nepřibližujte ruce k pohybujícím se částem invalidního vozíku.

Rozložení invalidního vozíku:

1. Postavte se za ruční invalidní vozík.
2. Otevřete opěradlo (viz odst. 3.5).
3. Pomocí tlačných tyčí otevřete ruční invalidní vozík po obou stranách co nejdále.
4. Postavte se před ruční invalidní vozík.
5. Zatlačte dolů dvě sedadlové trubky vedle sedadla, dokud se nezaaretují na místě.

Složení invalidního vozíku:

1. Složte nožní desku nebo vyjměte opěrku nohou (viz odst. 3.4);
2. Složte opěradlo (viz odst. 3.5);
3. Uchopte uprostřed přední a zadní část čalounění a zvedněte jej.



3.4 Montáž / demontáž opěrek nohou



POZOR

Riziko zranění

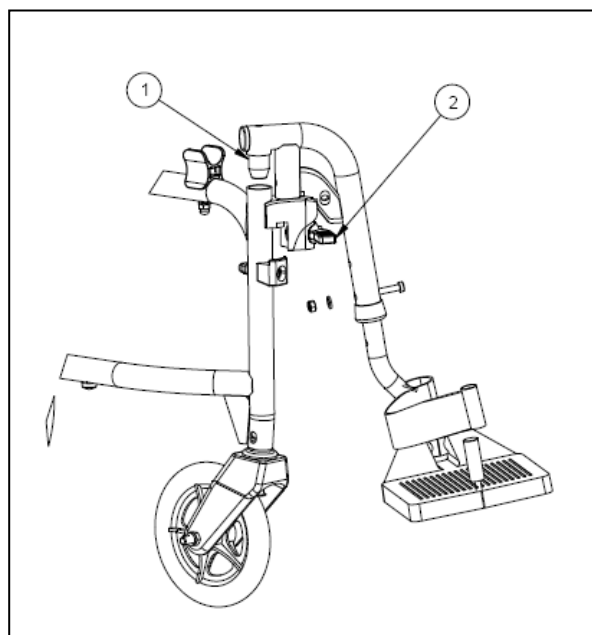
- Před použitím zajistěte, aby byly opěrky nohou řádně upevněny.
- Dbejte na to, aby v oblasti výkyvu opěrky nohy nebyly předměty nebo osoby.

Montáž opěrek nohou:

1. Držte opěrku nohou stranou a vložte zátku trubky ① do rámu invalidního vozíku.
2. Otočte opěrku nohy dovnitř, dokud se nezaaretuje na místě.
3. Snižte opěrku nohou.
4. Postup zopakujte pro druhou opěrku nohou.

Demontáž opěrek nohou:

1. Zvedněte páčku ②.
2. Otočte opěrku nohou směrem ven.
3. Vyjměte opěrku nohou.
4. Postup zopakujte pro druhou opěrku nohou.

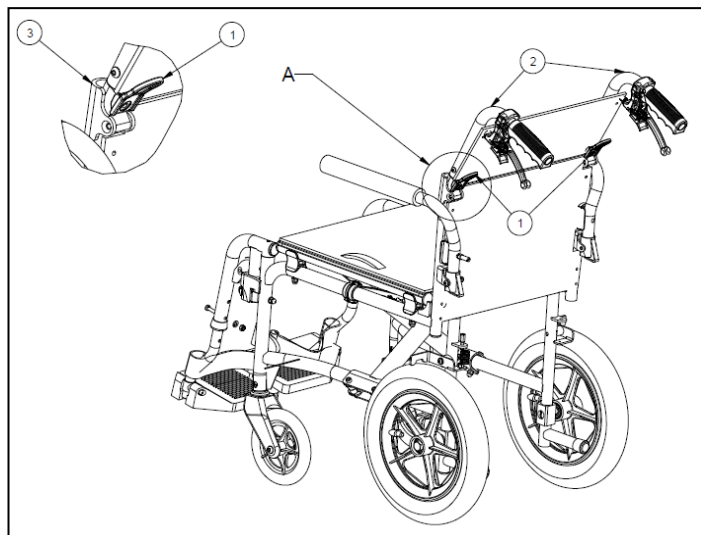


3.5 Rozložení/složení opěradla


POZOR

Riziko zranění

- Před použitím zajistěte, aby bylo opěradlo bezpečně zaaretováno.



Rozložení opěradla:

1. Zvedněte trubku opěradla ② nahoru, dokud se nezaaretuje;
2. Zajistěte, aby bylo opěradlo bezpečně zaaretováno na místě.

Složení opěradla:

1. Držte trubku opěradla a zvedněte ① trubku opěradla, dokud ③ nevyskočí z trubky opěradla.
2. Snižujte horní trubku opěradla ②, dokud není plně složena.

3.6 Parkovací brzdy


POZOR

Riziko zranění

- Nepoužívejte brzdy ke zpomalení invalidního vozíku během jízdy.
- Správná funkce závisí na opotřebení a znečištění pneumatik (voda, olej, bláto atd.). Před použitím zkontrolujte stav pneumatik.
- Brzdy jsou seřiditelné a v průběhu času se opotřebují. Před použitím zkontrolujte brzdy.
- Riziko nechtěného pohybu – zajistěte, aby byly brzdy deaktivovány, když invalidní vozík stojí na vodorovné ploše.

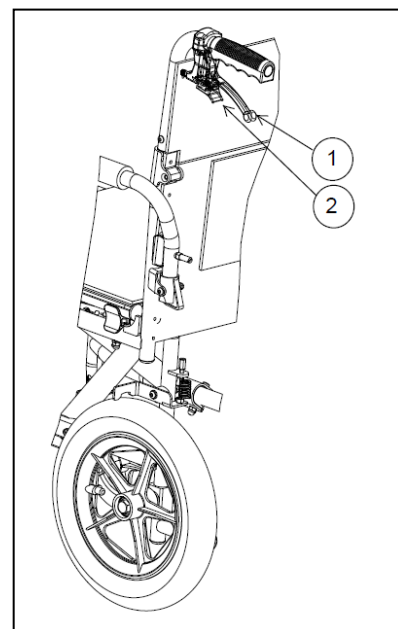
Parkovací brzdy smí obsluhovat pouze doprovod.

Aktivace brzd:

1. Zatáhněte brzdovou páčku nahoru ①.
2. Zajistěte brzdovou páčku ① pomocí zubů na plastovém bloku ②.

Deaktivace brzd:

1. Uvolněte plastový blok ②;
2. Deaktivujte brzdovou páčku ①.



3.7 Přesun na invalidní vozík nebo z něj

 **POZOR** Riziko zranění anebo poškození

- Pokud nemůžete přesun provést bezpečně, požádejte někoho o asistenci.
- Během přesunu na vozík nebo z něj nestůjte na nožních deskách.

Přesun:

1. Když sedíte na židli, pohovce, sedačce či posteli, umístěte ruční invalidní vozík co nejbližší k sobě.
2. Aktivujte obě parkovací brzdy k zablokování pohybu, viz odst. 3.6.
3. Složte nožní desky nahoru, aby se na nich nemohlo stát, nebo otočte opěrky nohou stranou k uvolnění průchodu pro přenos.
4. V případě potřeby vyjměte opěrku nohou na jedné straně (viz odst. 3.4).
5. Přesuňte se na invalidní vozík nebo z něj silou svých paží nebo pomocí asistenta či zdvihacího zařízení.

Sezení na invalidním vozíku:

1. Sedněte si na sedadlo a dolní část zad opřete o opěradlo.
2. Je-li opěrka nohou vyjmuta, opět ji nainstalujte.
3. Otočte opěrky nohou zpět dopředu nebo otočte nožní desky dolů a položte nohy na nožní desky.

3.8 Jízda

 **POZOR** Riziko zranění anebo poškození

- Při jízdě úzkými průjezdy zajistěte, aby nedošlo ke skřípnutí ruky na ručním ráfku.
 - Nejezděte na svazích, překážkách, schodištích ani obrubnicích, které jsou větší než uvádí odst. 6.
1. Deaktivujte parkovací brzdy (viz odst. 3.6).
 2. Doprovod uchopí tlačné tyče.
 3. Doprovod tlačí invalidní vozík na požadované místo.

3.8.1 Jízda na svahu, rampě

 **POZOR** Riziko zranění

- Ovládejte rychlost – při jízdě ze svahu dolů zpomalte.
- Zvažte schopnosti svého doprovodu – pokud nemůže invalidní vozík ovládat, zaktivujte brzdy.

1. Je-li k dispozici bezpečnostní pás, připevtejte se.
2. Doprovod vás tlačí nahoru do svahu/drží dolů ze svahu.
3. Při jízdě nahoru do svahu přesuňte těžiště dopředu náklonem dopředu. Při jízdě dolů ze svahu se nakloňte dozadu.



CS 3.8.2 Řešení překážek

 **POZOR** Riziko zranění anebo poškození

- V případě potřeby vyjměte opěrky nohou pro zajištění, že se nedotknou země kvůli náklonu invalidního vozíku.
- Obrubníky či překážky vždy přejíždějte s pomocí doprovodu.

Sjíždění dolů z obrubníku popředu:

1. Náklonem invalidního vozíku trochu dozadu přesuňte těžiště na zadní kola.
2. Přetlačte zadní kolo dolů z obrubníku.



Sjíždění dolů z obrubníku pozpátku:

1. Přiblížte se k obrubníku pozpátku.
2. Náklonem dopředu přesuňte těžiště dopředu.
3. Přesuňte a zvedněte zadní kolo přes stranu obrubníku. Usadte zadní kolo na zem.
4. Jemně stáhněte přední kola dolů z obrubníku.



Vyjíždění schodů či překážek

1. Tlakem nohy dolů na koncové víčko nakloňte invalidní vozík dozadu.
2. Přesuňte přední kola nahoru na obrubník. Usadte přední kola na zem.
3. Vytlačte zadní kola nahoru na obrubník.



3.8.3 Používání schodů

 **POZOR** Riziko zranění anebo poškození

- Ruční invalidní vozík nelze používat na eskalátorech.
 - Schody musejí být vždy zvládnány za asistence (min.) dvou osob doprovodu.
1. Odeberte opěrky nohou, viz odst. 3.4.
 2. Jeden doprovod mírně nakloní invalidní vozík dozadu.
 3. Druhý doprovod uchopí invalidní vozík za přední stranu rámu po obou stranách invalidního vozíku.
 4. Jemně přesouvejte zadní kola ze schodu na schod. Nedělejte trhavé pohyby.
 5. Po použití schodů upevněte zpět na místo opěrky nohou, viz odst. 3.4.

4 INSTALACE A SEŘÍZENÍ

Tato kapitola je určena především prodejcům.



POZOR

Používejte pouze díly a nástroje popsané v tomto návodu.

4.1 Rozsah dodávky

Součásti dodávky výrobku Bobby Evo:

1. Rám s loketními opěrkami, přední a zadní kola;
2. Pár opěrek nohou;
3. Rukojeti + brzdové páčky;
4. Opěradlo a čalounění sedadla;
5. Nástroje: Inbusový klíč č. 1, 4, 5 a otevřený klíč;
6. Pokyny;
7. Příslušenství (volitelné).

Před použitím zkontrolujte, zda nic nechybí a zda nejsou žádné produkty poškozeny.

4.2 Nástroje

Pro seřízení invalidního vozíku jsou potřeba tyto nástroje:

- Nástrčný klíč č. 10
- Inbusový klíč č. 4

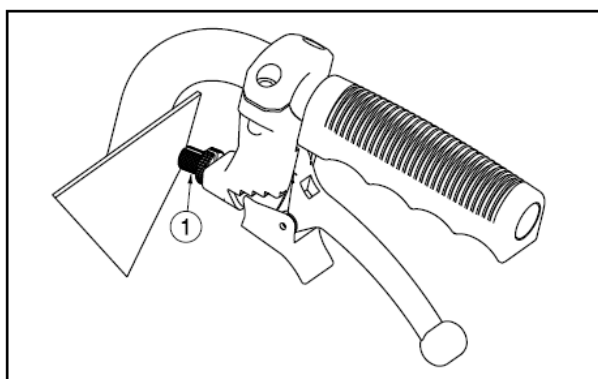
4.3 Seřízení brzd



POZOR

Riziko zranění anebo poškození

- Seřízení brzd smí provádět pouze odborný prodejce.



1. Otáčením ① seřídíte napnutí brzdového kabelu.
2. Zkontrolujte funkci brzd.
3. V případě potřeby opakujte krok ①, dokud nebudou brzdy správně seřizeny.

4.4 Délka opěrky nohou



POZOR

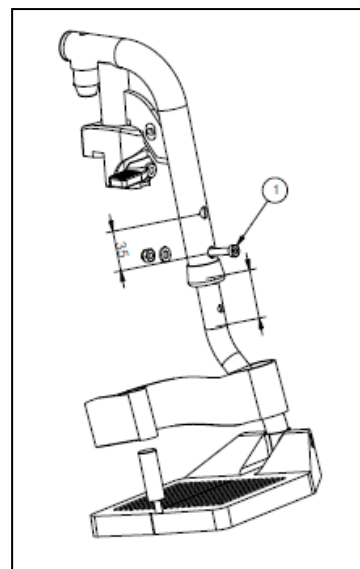
Riziko poškození

- Zajistěte, aby se opěrka nohou nikdy nedotkla země, a udržujte min. vzdálenost 6 cm od země.

CS

K dispozici jsou dvě polohy délky (interval 35 mm):

1. Povolte šroub ① na přední straně opěrky nohou.
2. Nastavte opěrku nohou na pohodlnou výšku.
3. Utáhněte šroub ①.



5 ÚDRŽBA

5.1 Body údržby

 **POZOR** Riziko zranění anebo poškození

- Opravy a výměny smějí provádět pouze vyškolené osoby. Přitom je třeba používat pouze originální náhradní díly společnosti Vermeiren.

Před každým použitím

Zkontrolujte následující body:

- Všechny části: Přítomné a nepoškozené či neopotřebené.
- Všechny části: Čisté, viz odst. 5.2.2.
- Opěrky nohou: Dobré zajištění.
- Stav kol/pneumatik, viz odst. 5.2.1;
- Stav součástí rámu: Žádná deformace, nestabilita, zeslabení nebo uvolněné spoje
- Sedadlo, opěradlo, loketní opěrky: Bez nadměrného opotřebení (např. promáčknutá místa, poškození nebo roztržení).
- Brzdy: nepoškozené a plně funkční

Pro případné opravy či výměny částí se obraťte na svého odborného prodejce.

Ročně nebo častěji

Tento invalidní vozík nechte u odborného prodejce ke kontrole a provedení servisu alespoň jednou ročně nebo častěji. Minimální četnost údržby závisí na používání, a proto by měla být společně dohodnuta s vaším odborným prodejcem.

Při uložení

Zajistěte, aby byl invalidní vozík skladován na suchém místě, kde nemůže dojít k výskytu plísní či k poškození čalounění.

5.2 Pokyny pro údržbu

5.2.1 Kola a pneumatiky

Udržujte kola bez drátů, vlasů, písku a vláken.

Zkontrolujte vzorek na pneumatikách. Je-li hloubka dezénu menší než 1 mm, musí být pneumatiky vyměněny. Obraťte se v této věci na svého odborného prodejce.

Nahustěte pneumatiky na správný tlak (viz indikace tlaku na pneumatikách).

5.2.2 Čištění

**POZOR**

Riziko poškození

- K čištění invalidního vozíku nikdy nepoužívejte hadici ani vysokotlaký čistič.

Otřete všechny pevné části invalidního vozíku vlhkým (nikoli mokrým) hadříkem. V případě potřeby použijte jemné mýdlo vhodné na laky a syntetické barvy.

Čalounění lze vyčistit vlažnou vodou a jemným mýdlem. K čištění nepoužívejte abrazivní čisticí prostředky či houbičku ani tvrdý kartáč.

5.2.3 Dezinfekce

**POZOR**

Riziko zranění anebo poškození

- Dezinfekci mohou provádět pouze kvalifikované osoby. Poradte se se svým prodejcem.

5.3 Řešení problémů

NIKDY nezkoušejte opravit invalidní vozík sami. I když tento invalidní vozík používáte správně, může se vyskytnout technický problém. Následující příznaky mohou znamenat vážný problém. Proto se vždy obraťte na svého odborného prodejce, když zaznamenáte některou z následujících odchylek:

- Divný zvuk;
- Nerovnoměrné opotřebení dezénu na jedné z pneumatik;
- Trhavé pohyby;
- Invalidní vozík se naklání na jednu stranu;
- Poškozené či rozbité sestavy kol;

5.4 Očekávaná životnost

Průměrná životnost tohoto invalidního vozíku je 5 let. V závislosti na četnosti použití, jízdních podmínkách a údržbě se životnost tohoto invalidního vozíku prodlouží nebo zkrátí.


5.5 Konec používání

Po skončení životnosti musí být invalidní vozík zlikvidován podle místních předpisů pro životní prostředí. Nejlepším způsobem likvidace je rozebrání invalidního vozíku pro usnadnění přepravy recyklovatelných součástí.

6 TECHNICKÉ ÚDAJE

Technické údaje uvedené níže platí pouze pro tento invalidní vozík při standardních nastaveních a optimálních podmínkách okolí. Během používání berte tyto údaje v úvahu. Pokud byl tento invalidní vozík upraven, poškozen nebo došlo k jeho velkému opotřebení, nebudou tyto hodnoty platné.

Tabulka 1: Technické údaje

Značka	Vermeiren	
Typ	Ruční invalidní vozík	
Model	Bobby Evo	

Popis	Rozměry
Max. váha uživatele	115 kg
Efektivní šířka sedadla	42 – 48 cm
Celková šířka (referenční šířka sedadla)	49 – 55 cm
Celková délka (včetně opěrky nohou)	101 cm
Délka po složení (včetně opěrky nohou)	86 cm
Délka po složení (kromě opěrky nohou)	68 cm
Šířka po složení (bez opěrky nohou)	26 cm
Výška po složení	75 cm
Celková výška	90 cm
Celková hmotnost	9,6 – 10,0 kg
Celková hmotnost nejtěžší části	8,0 – 8,6 kg
Nejhmotnější vyjímatelná část	Opěrka nohou: 1,6 kg
Statická stabilita, svah dolů	10°
Statická stabilita, svah nahoru	10°
Statická stabilita, do stran	10°
Překonání překážky	6 cm
Úhel sedadla	5°
Efektivní hloubka sedadla	42 cm
Přední výška sedadla	49 cm
Úhel opěradla	5°
Výška opěradla	44 cm
Vzdálenost mezi nožní deskou a sedadlem	39 – 42 cm
Úhel sedadla a opěrky nohou	114°
Vzdálenost od loketní opěrky k sedadlu	20 cm
Přední konec loketní opěrky	30 cm
Vodorovná osa kol	2,1 cm
Min. průměr otáčení	150 cm
Průměr zadního kola	12,5"
Průměr předního kola	15,5 cm
Teplota skladování a používání	+5 – +41 °C
Vlhkost skladování a používání	30 – 70 %
<p><i>Vyhrazujeme si právo na zavádění technických změn. Tolerance měření ±15 mm / 1,5 kg / 1,5°.</i></p>	



Service registration form

This product (name):

was inspected (I), serviced (S), repaired (R) or disinfected (D):

By (stamp): Kind of work: I / S / R / D Date:	By (stamp): Kind of work: I / S / R / D Date:	By (stamp): Kind of work: I / S / R / D Date:
By (stamp): Kind of work: I / S / R / D Date:	By (stamp): Kind of work: I / S / R / D Date:	By (stamp): Kind of work: I / S / R / D Date:
By (stamp): Kind of work: I / S / R / D Date:	By (stamp): Kind of work: I / S / R / D Date:	By (stamp): Kind of work: I / S / R / D Date:
By (stamp): Kind of work: I / S / R / D Date:	By (stamp): Kind of work: I / S / R / D Date:	By (stamp): Kind of work: I / S / R / D Date:
By (stamp): Kind of work: I / S / R / D Date:	By (stamp): Kind of work: I / S / R / D Date:	By (stamp): Kind of work: I / S / R / D Date:



Vermeiren GROUP
Vermeirenplein 1 / 15
B-2920 Kalmthout
BE

website: www.vermeiren.com